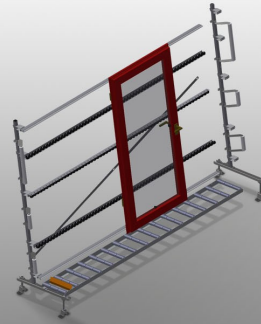




### VR4003

#### VERTICAL ROLLER CONVEYORS

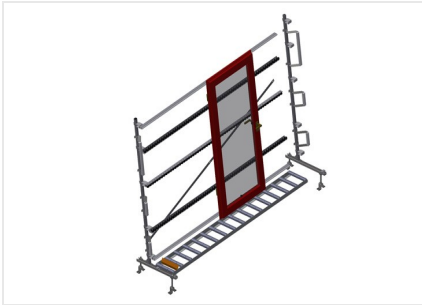


Vertical roller conveyor for transportation and storage of window elements

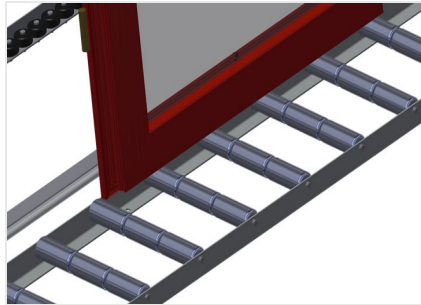
- Stable steel construction
- Expandable using modular system design
- Vertical roller conveyor for smooth transportation and storage of window elements
- Easy handling of window elements
- Every roller conveyor unit is 4,000 mm long
- Roller conveyor divided into three parts
- Plastic slide bars top and bottom
- Three mini-roller conveyors with rubber rollers, diameter 50 mm
- Basic unit without end rack

#### Options

- End rack for VR 2003/3003/4003
- End stop for VR
- Lead-in roller for VR
- Profile protectors for support rollers (Alum.)

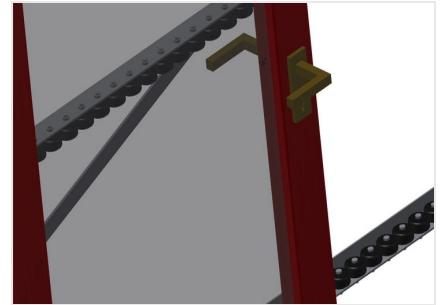


### Vertical roller conveyor VR 4003



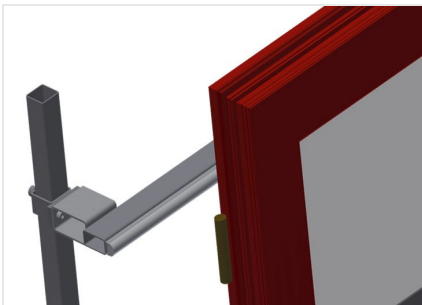
### Support rollers

Rollers throughout, Roller conveyor divided into three parts, 3x 120 mm. Roller conveyor units, 2,000 mm, 3,000 mm and 4,000 mm long



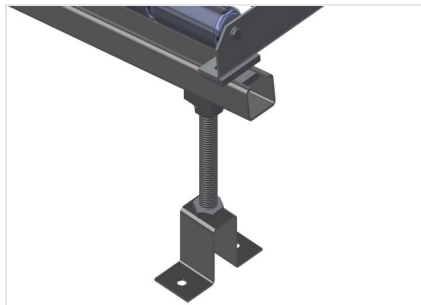
### Mini-roller conveyor

Three mini-roller conveyors with rubber rollers, diameter 50 mm



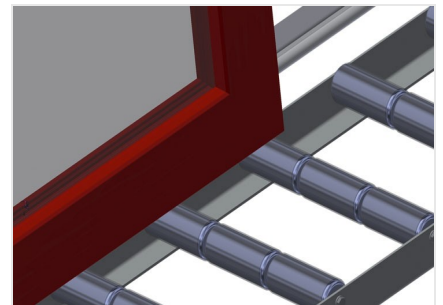
### Back support

Rear back support with plastic slide bars, top and bottom



### Roller conveyor height adjustment

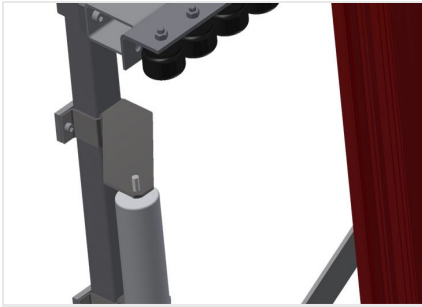
Lower roller conveyor height can be adjusted by means of adjustable feet



### Profile protectors

Profile protectors for support rollers 3x 120 mm (Alum./33 x and Alum./48 x). Support rollers covered with protective tubing





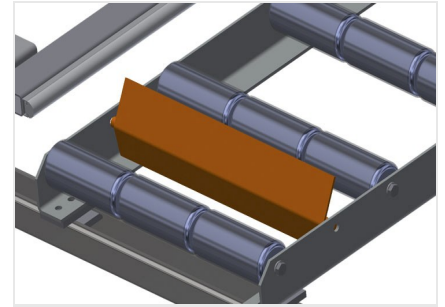
### Mini-roller conveyor height adjustment

Mini-roller conveyor height is adjustable



### End rack

End rack is mandatory at end of line



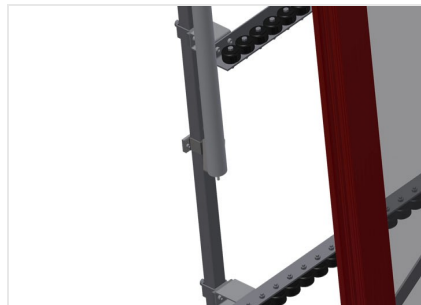
### End stop

End stop Rb = 3x 120 mm



### Lead-in rollers

Protective rollers for beginning or end of roller conveyor L = 500 mm (pair) L = 250 mm (pair)



### Additional mini-roller conveyors

Additional mini-roller conveyors with rubber rollers top/bottom





### VR 4003 / VERTICAL ROLLER CONVEYORS

---

- Length 4,000 mm
- Width 900 mm
- Height 2,400 mm
- Support rollers divided into three parts 3 x 120 mm
- Unit height 2,100 mm
- Load 200 kg
- Weight 220 kg