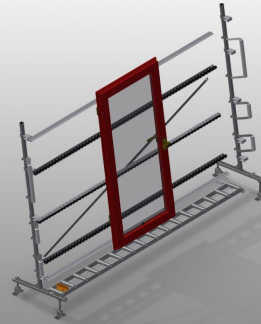




### VR4000

#### VERTICAL ROLLER CONVEYORS

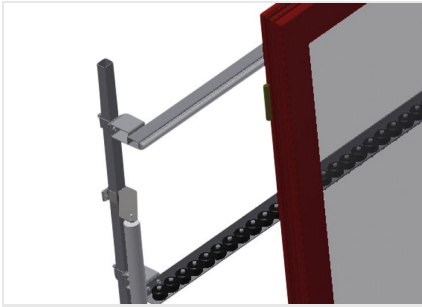


Vertical roller conveyor for transportation and storage of window elements

- Stable steel construction
- Expandable using modular system design
- Vertical roller conveyor for smooth transportation and storage of window elements
- Easy handling of window elements
- Every roller conveyor unit is 4,000 mm long
- Plastic slide bars top and bottom
- Three mini-roller conveyors with rubber rollers, diameter 50 mm
- Basic unit without end rack

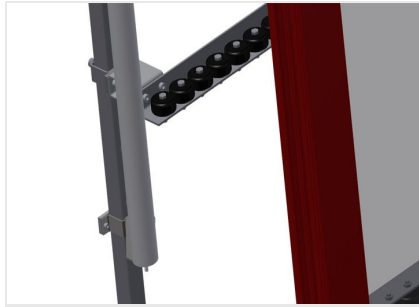
#### Options

- End rack
- End stop
- Lead-in roller
- Profile protectors for support rollers (Alum.)



### Back support

Rear back support with plastic slide bars, top and bottom



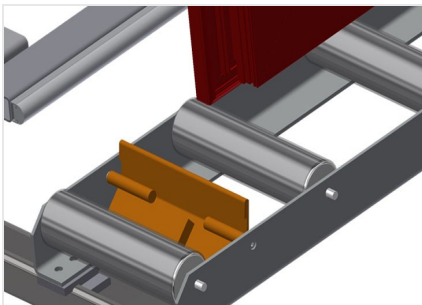
### Lead-in rollers

Protective rollers for beginning or end of roller conveyor L = 500 mm (pair) L = 250 mm (pair)



### End rack

End rack for VR 2000/3000/4000 is mandatory at end of line



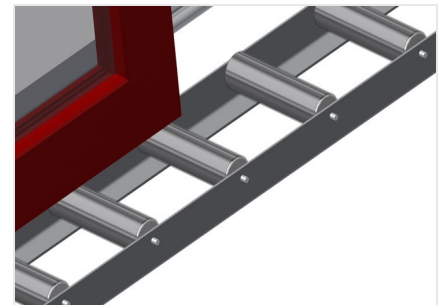
### End stop

End stop Rb = 200 mm for VR



### Additional mini-roller conveyors

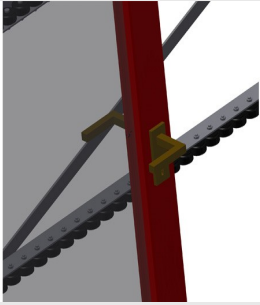
Additional mini-roller conveyors with rubber rollers top/bottom



### Profile protectors

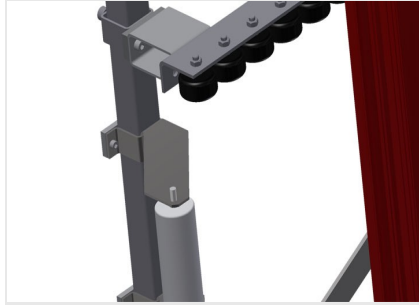
Profile protectors for support rollers 200 mm (Alum./11 x and Alum./16 x). Support rollers covered with protective tubing





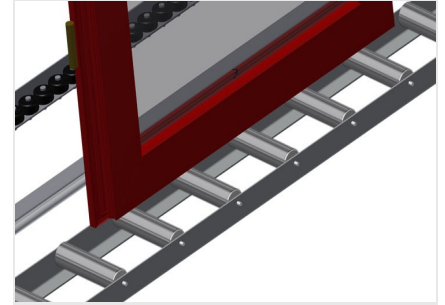
**Mini-roller conveyor**

Three mini-roller conveyors with rubber rollers, diameter 50 mm



**Mini-roller conveyor height adjustment**

Mini-roller conveyor height is adjustable



**Support rollers**

Rollers throughout, support roller width 200 mm. Roller conveyor units 2,000 mm, 3,000 mm and 4,000 mm long





**VR 4000 / VERTICAL ROLLER CONVEYORS**

---

- Length 4,000 mm
- Width 900 mm
- Height 2,400 mm
- Support roller width 200 mm
- Unit height 2,100 mm
- Load 200 kg
- Weight 200 kg