



### VR3003 F

#### VERTICAL ROLLER CONVEYORS



Vertical roller conveyor for transportation of window elements

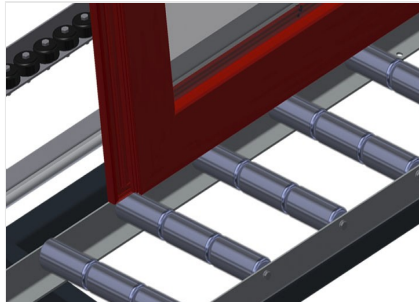
- Stable steel construction
- Vertical roller conveyor for smooth transportation to the next work task as well as for transportation to storage and sorting of the finished windows
- Easy handling of window elements
- Every roller conveyor unit is 3,000 mm long
- Plastic slide bars top and bottom
- Three mini-roller conveyors with rubber rollers, diameter 50 mm
- Basic unit with end rack
- Vertical roller conveyor on rails with flanged rollers, mobile

#### Options

- Rail, 2.0 m, left and right
- End stop for VR
- Lead-in roller for VR
- Profile protectors for support rollers (Alum.)

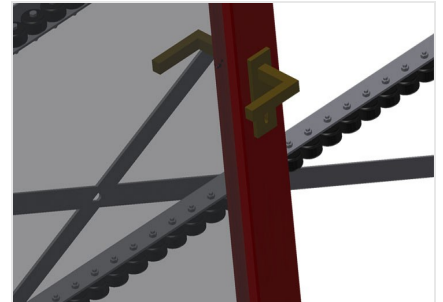


### Vertical roller conveyor VR 3003 F



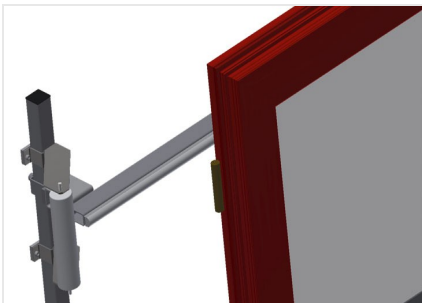
### Support rollers

Rollers throughout, Roller conveyor divided into three parts, 3x 120 mm. Roller conveyor units, 2,000 mm, 3,000 mm and 4,000 mm long



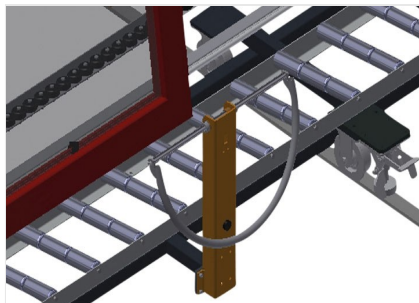
### Mini-roller conveyor

Three mini-roller conveyors with rubber rollers, diameter 50 mm



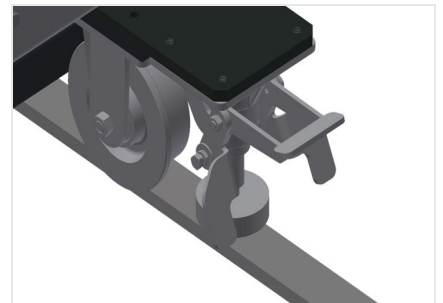
### Back support

Rear back support with plastic slide bars, top and bottom



### Grip

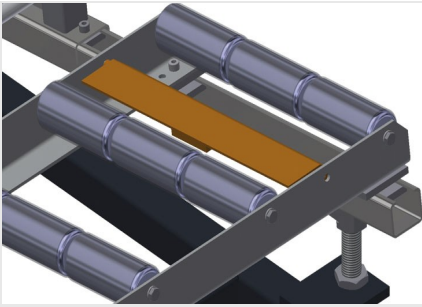
Grip makes pushing the roller conveyor on the rails easy



### Mobility unit

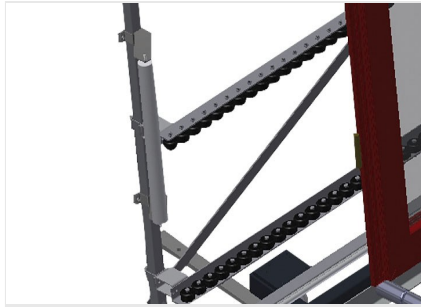
Mobility unit with flanged rollers and fixing brake





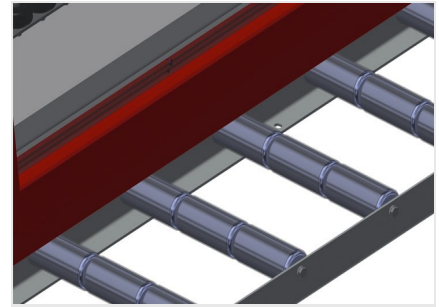
### End stop

End stop Rb = 3x 120 mm



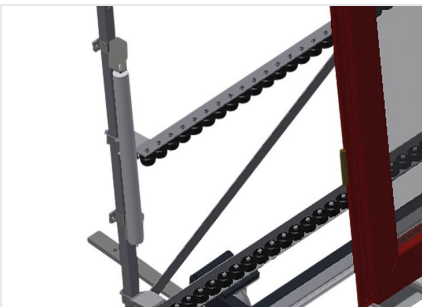
### Lead-in rollers

Protective rollers for beginning or end of roller conveyor L = 500 mm (pair) L = 250 mm (pair)



### Profile protectors

Profile protectors for support rollers 3x 120 mm (Alum./33 x and Alum./48 x). Support rollers covered with protective tubing



### Additional mini-roller conveyors

Additional mini-roller conveyors with rubber rollers top/bottom





### VR 3003 F / VERTICAL ROLLER CONVEYORS

---

- Length 3,000 mm
- Width 1,000 mm
- Height 2,490 mm
- Support rollers divided into three parts 3 x 120 mm
- Unit height 2,100 mm
- Load 200 kg
- Weight 180 kg