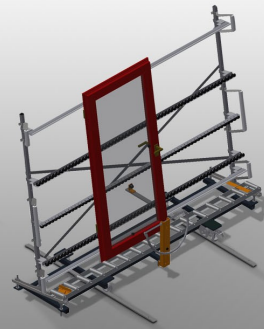




### VR3000 DF

#### Vertical roller conveyors



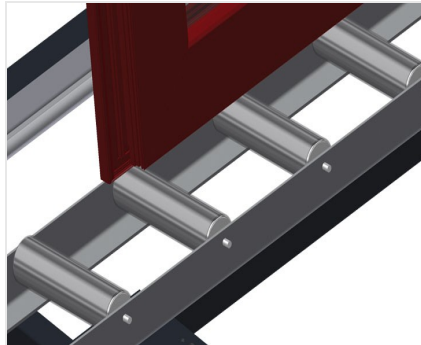
- Stable steel construction
- Vertical roller conveyor for smooth transportation to the next work task as well as for transportation to storage and sorting of the finished windows
- Easy handling of window elements
- Every roller conveyor unit is 3,000 mm long
- Plastic slide bars top and bottom
- Three mini-roller conveyors with rubber rollers, diameter 50 mm
- Basic unit with end rack
- Vertical roller conveyor on rails with flanged rollers, mobile
- Roller conveyor can be rotated 360°

#### Options

- Rail, 2.0 m, left and right
- End stop for VR
- Lead-in roller for VR
- Profile protectors for support rollers (Alum.)

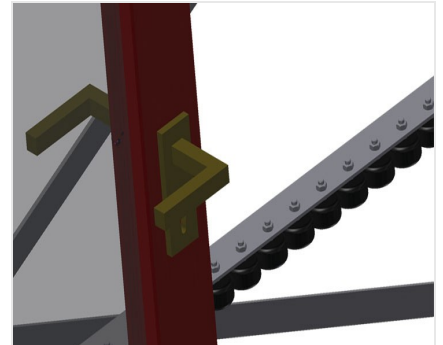


**Vertical roller conveyor  
VR 3000 DF with mobility  
and rotation mechanism**



**Support rollers**

Rollers throughout, support roller width,  
200 mm.



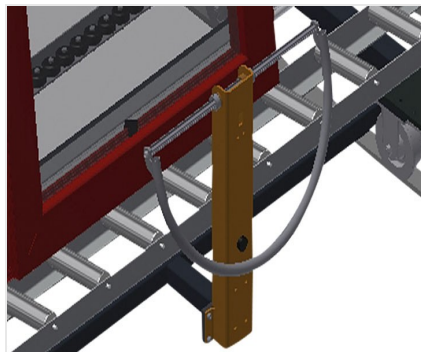
**Mini-roller conveyor**

Three mini-roller conveyors with rubber  
rollers, diameter 50 mm



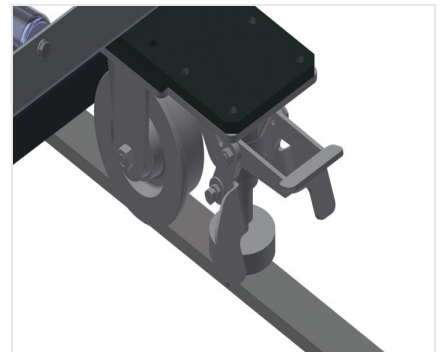
**Back support**

Rear back support with plastic slide bars,  
top and bottom



**Grip**

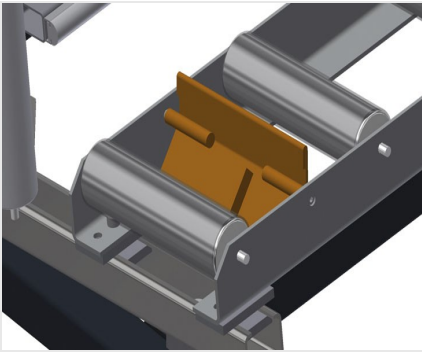
Grip makes pushing the roller conveyor on  
the rails easy



**Mobility unit**

Mobility unit with flanged rollers and fixing  
brake





### End stop

End stop Rb = 200 mm



### Lead-in rollers

Protective rollers for beginning or end of roller conveyor L = 500 mm (pair) L = 250 mm (pair)



### Profile protectors

Profile protectors for support rollers 200 mm (Alum./16 x). Support rollers covered with protective tubing



### Additional mini-roller conveyors

Additional mini-roller conveyors with rubber rollers top/bottom



### Rails

Rails, 2.0 m, left and right.





**VR 3000 DF / VERTICAL ROLLER CONVEYORS**

---

- Length 3,000 mm
- Width 1,000 mm
- Height 2,490 mm
- Support roller width 200 mm
- Unit height 2,100 mm
- Load 200 kg
- Weight 180 kg