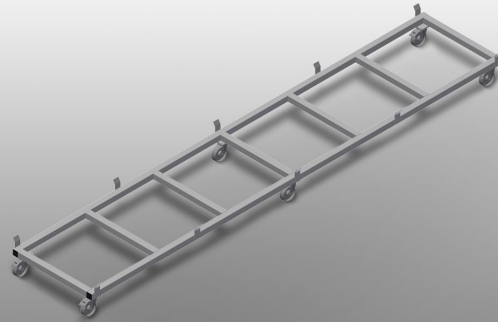




TPK4000

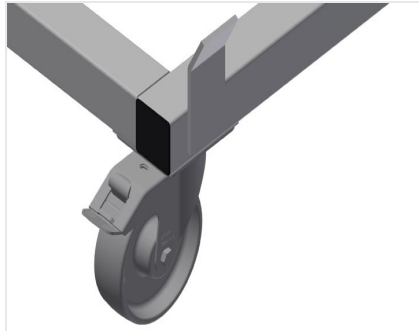
Profile transport trolleys



- Stable steel construction
- Transport trolley for carrying profile cassettes
- Ideal for transporting profile cassettes from storage to the saw or to the machining centre
- For profile pallets of up to 760 mm width
- Safety tabs to secure the pallets
- Six rollers, four castors with fixing brakes and two fixed rollers

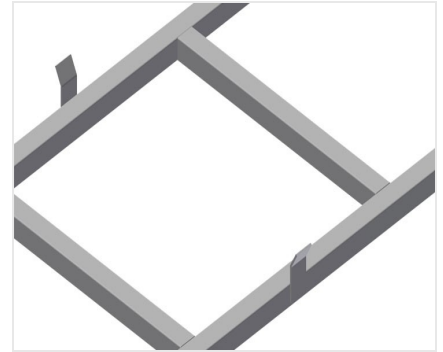


Transport trolley for profile cassettes TPK 4000



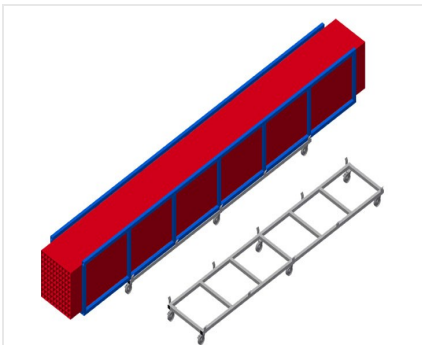
Casters

Six rollers, four with a fixing brake and two fixed rollers, provide a high degree of mobility and easy, safe handling



Safety tabs

Safety tabs to secure the pallets



Transport trolley for profile cassettes TPK 4000

Transport trolley with long goods pallet





TPK 4000 / PROFILE TRANSPORT TROLLEYS

- Length 4,000 mm
- Width 820 mm
- Height 285 mm
- Load width 770 mm
- Weight 65 kg
- Load 1,200 kg
- Roller diameter 125 mm