



### *RFR10/02*

#### RACK SYSTEMS



Rack for storage of frame elements

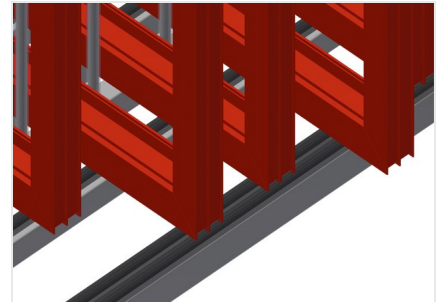
- Stable steel construction
- Rack for storage of frames
- The individual elements are available for direct access
- Specially designed for integration in assembly lines
- Access is possible from both sides
- Floor support equipped with knob profile
- Compartment separating bars covered with protective tubing
- Supporting surface with rollers for even easier loading and unloading



**Frame rack RFR 10/02**

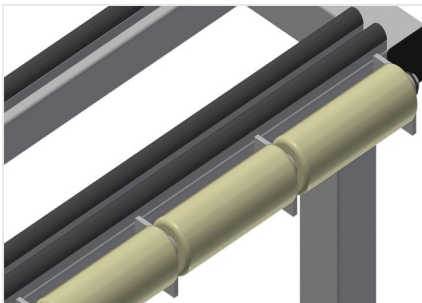


**Compartments**



**Supports**

Lower supporting surfaces with knob profile to protect profiles from damage



**Rollers**

Rollers are mounted to every compartment for even easier loading and unloading of heavy or large elements





### RFR 10/02 / RACK SYSTEMS

---

- Length 1,50 mm
- Width 1,620 mm
- Height 3,375 mm
- Ten compartments
- Compartment width 160 mm
- Compartment height 3,010 mm
- Weight 275 kg
- Load 800 kg