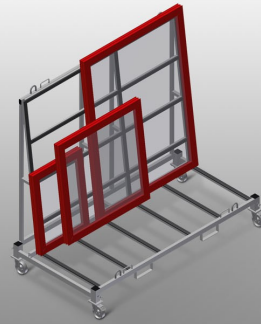




## ***KW4***

### **COMMISSIONING TROLLEYS**



Commissioning trolley for in-house transportation of window elements

- Stable steel construction
- Trolley for in-house transportation
- Openings for forklift transportation
- Four loops for crane transportation
- Four lashing strap attachment points
- Profile supports with rubber surface
- Castors can be removed for increased stability of the commissioning trolley
- Four castors, two of which have a fixing brake

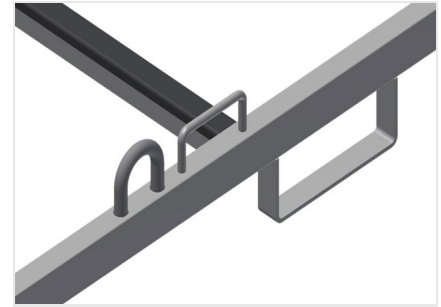


### Commissioning trolley KW 4



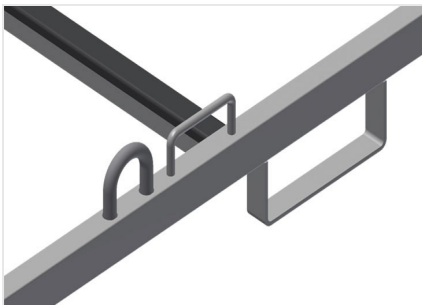
### Casters

Four casters, two of which have a fixing brake, provide a high degree of mobility and easy, safe handling



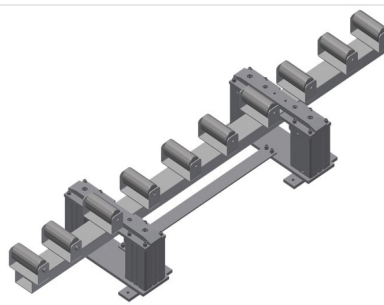
### Forklift openings and crane attachment points

Equipped with four forklift openings and four crane attachment points



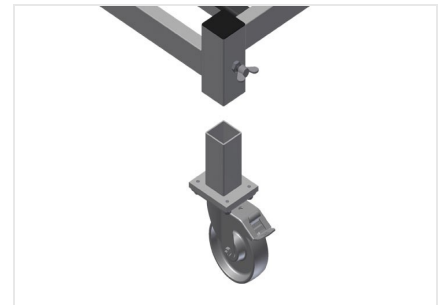
### Lashing strap attachment points

With four lashing strap attachment points



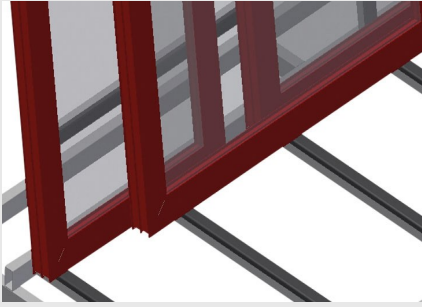
### Lifting station

HBR 1600 Lifting station for the transfer of heavy windows to the transport trolley KW 4



### Removable casters

Casters can be removed for increased stability of the commissioning trolley on the floor



**Supports with rubber strip**

Supporting surfaces equipped with rubber strips to protect profiles from damage





**KW 4 / COMMISSIONING TROLLEYS**

---

- Length 2,000 mm
- Width 1,000 mm
- Height 1,850 mm
- Weight 150 kg
- Load 500 kg
- Roller diameter 125 mm