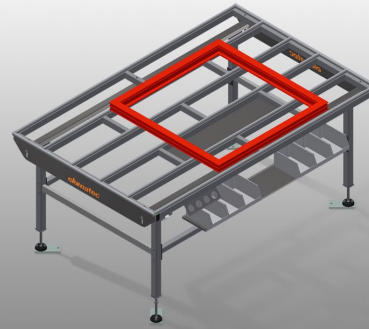




HT2000

HORIZONTAL ASSEMBLY TABLES



Horizontal table for all work tasks on frames and sashes

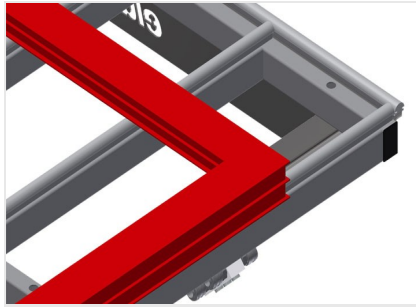
- Stable steel construction
- Table supporting surface with plastic slide bars
- Storage tray for setting down tools and accessories
- Adjustable height
- Simple installation with a modular system design

Options

- Also available with brush strips on request
- Also available with felt strips on request (for wooden elements)
- Also available with rubber strips on request (for aluminium elements)
- Roller support
- Tool rack
- 4-fold compressed air supply
- Storage area with six plastic trays

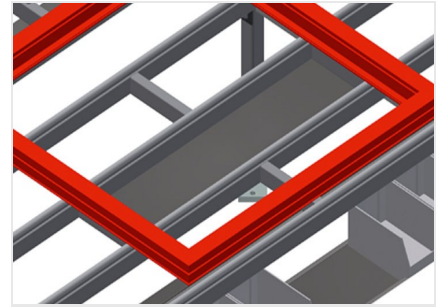


Horizontal table - Individual table HT 2000



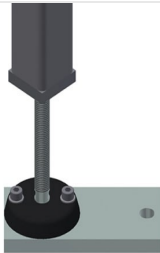
Supporting surfaces

Supporting surfaces with plastic slide bars



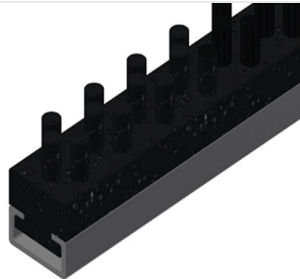
Storage tray

Storage tray for setting down tools and accessories



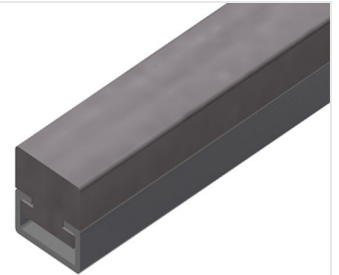
Height adjustment

Adjustable height; working height can be set to 850 - 1,000 mm by means of adjustable feet



Brush strip

Supporting surfaces with brush strip for MT/HT 2000



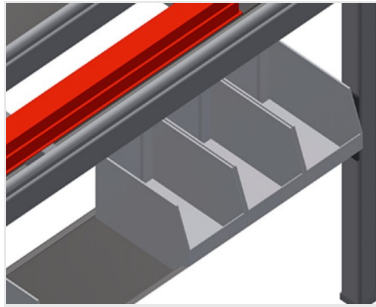
Felt strip

Supporting surfaces with felt strip for MT/HT 2000



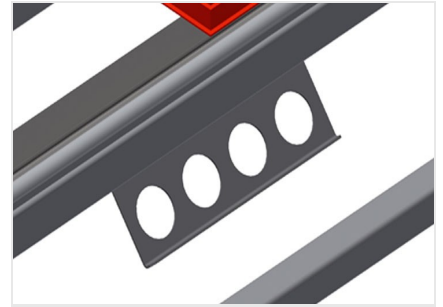
Rubber strips

Supporting surfaces with rubber-knob profile for aluminium elements



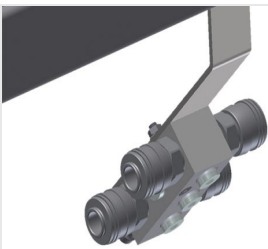
Storage area

Storage area with six plastic trays for small accessories, hardware and screws



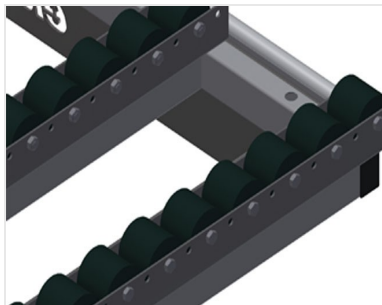
Tool rack

Tool rack for pneumatic or electrical tools



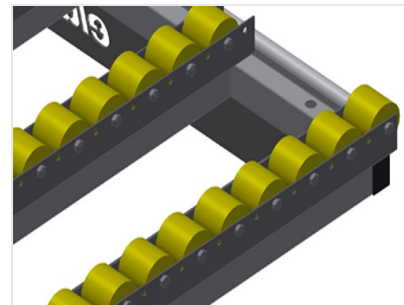
4-fold compressed air connection

4-fold compressed air connection for connecting compressed-air tools



Roller support, compl., for HT 2000/PVC

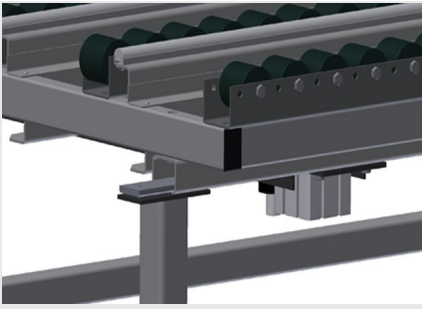
Hard plastic rollers with polyamide coating, on plain bearings, load per roller: 60 kg, convenient for transport and handling of PVC elements



Roller support, compl., for HT 2000/Alum.

Plastic rollers with polyurethane coating, on ball bearings, load per roller: 40 kg, convenient for transport and handling of aluminium elements





Pneumatic lifting unit

Lifting unit L = 2,000 mm





HT 2000 / HORIZONTAL ASSEMBLY TABLES

- Length 2,000 mm
- Width 1,300 mm
- Height 850 - 1,000 mm
- Weight 90 kg