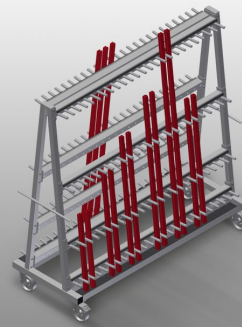




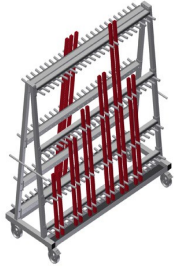
### GLW48

GLASS  
COMPARTMENT/GLAZING  
BEAD TROLLEYS

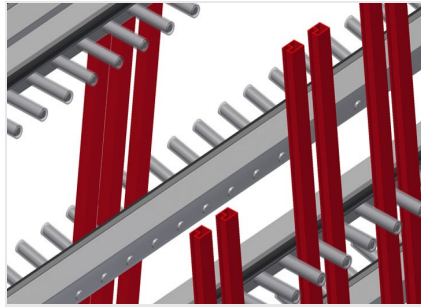


Profile trolley for vertical storage and transportation of aluminium glazing beads

- Stable steel construction
- Double-sided profile trolley for vertical storage and transportation of glazing beads
- Quick access to pre-sorted glazing beads
- Four sorting racks with fixed spacing
- Compartment dividers covered with protective tubing
- Lower supporting surface clad with protective rubber
- Rear back support with rubber strips
- 24 compartments per side
- Transport handle on both sides
- Four castors, two of which have a fixing brake

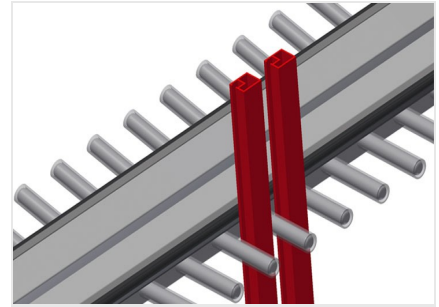


### Glazing bead trolley GLW 48



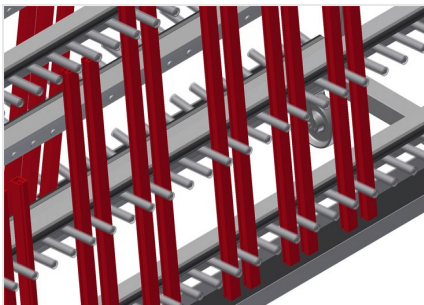
### Compartment divider with plastic protector

All supporting surfaces have a non-slip PVC cladding which protects surfaces from damage during storage



### Back support with rubber strips

Rear supporting surfaces equipped with rubber strips protect profiles from damage



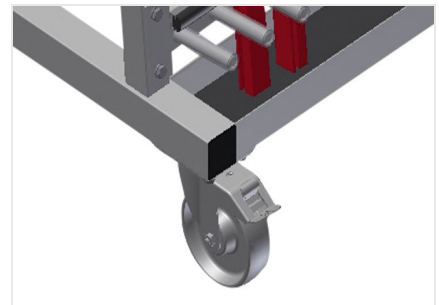
### Supporting surfaces with protective rubber

Lower supporting surfaces clad with rubber protect the profiles from damage



### Transport handles

Transport handles on both sides for mobility



### Casters

Four casters, two of which have a fixing brake, provide a high degree of mobility and easy, safe handling



### GLW 48 / GLASS COMPARTMENT/GLAZING BEAD TROLLEYS

---

- Length 1,620 mm
- Width 620 mm
- Height 1,640 mm
- Eight compartment dividers
- Compartment width 40 mm
- Compartment depth 90 mm
- Unit height 1,400 mm
- Weight 120 kg
- Load 400 kg
- 48 compartments
- Roller diameter 125 mm