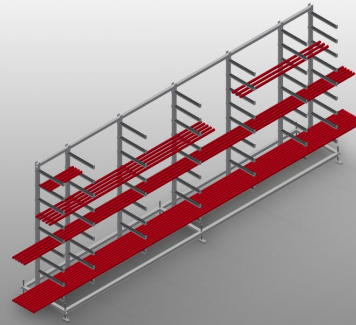


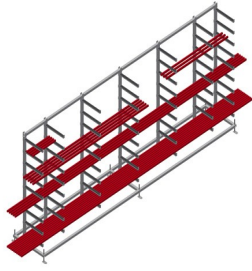


GLR5000

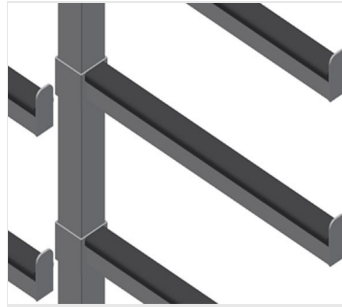
RACK SYSTEMS



- Stable steel construction
- Glazing bead rack for horizontal storage of aluminium and plastic glazing beads
- Ideal for storing and sorting glazing beads, e.g. before the glazing bead saw
- Seven support arms are evenly spaced along the rack
- Four centre supports are adjustable
- Nine support arms are freely adjustable, giving variable support arm spacing
- Support arms are rubber coated
- Well-organised storage provides quick access

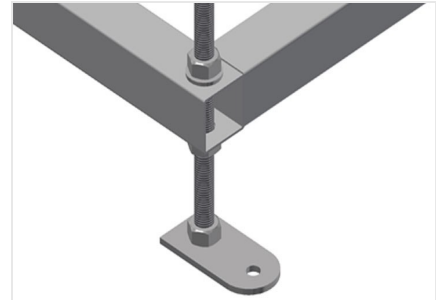


GLR 5000 Glazing bead rack



Support arms

Support arms are rubber coated. Centre upright is adjustable. Support arms are freely adjustable, giving variable support arm spacing



Hinged foot

Working height can be adjusted by means of adjustable feet



GLR 5000 / RACK SYSTEMS

- Length 5,000 mm
- Width 800 mm
- Height 2,200 mm
- Nine shelves
- Compartment depth 450 mm
- Clearance 185 mm
- Weight 200 kg
- Load 630 kg