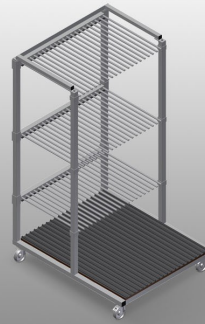




## **GF1000**

**GLASS  
COMPARTMENT/GLAZING  
BEAD TROLLEYS**

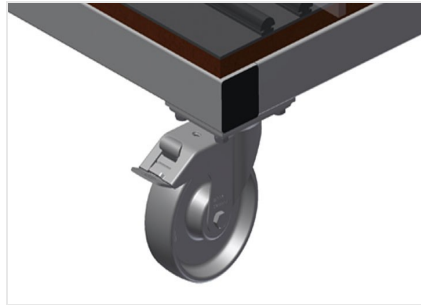


Glass transport trolley with sorting rack

- Stable steel construction
- Ideal for sorting glass
- Hardwood supporting surface with felt
- Compartment dividers for 20 sheets of glass
- Compartment dividers height is adjustable
- Four castors, two of which have a fixing brake

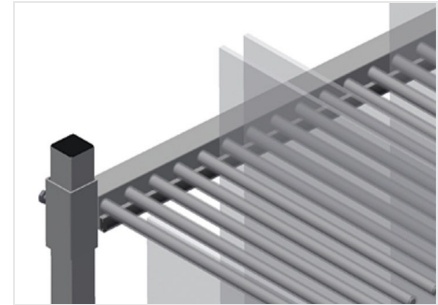


### Glass compartment trolley GF 1000



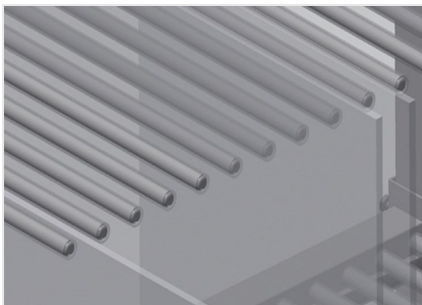
### Casters

Four casters, two of which have a fixing brake, provide a high degree of mobility and easy, safe handling



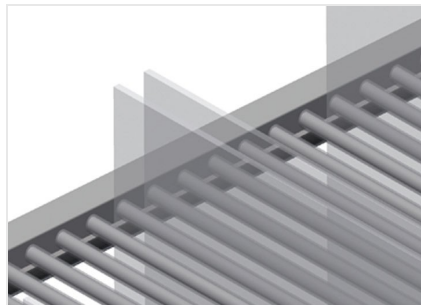
### Compartment divider with plastic protection

Compartment divider height is adjustable. All supporting surfaces have a non-slip PVC cladding which protects sheets of glass from damage during storage



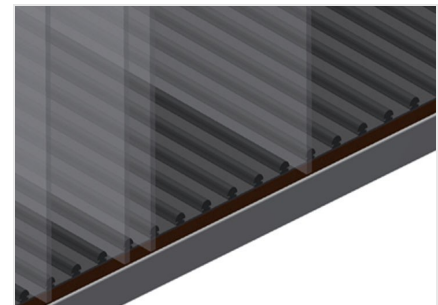
### Easy loading and unloading

Well-organised storage provides quick access



### Back support with rubber strips

Rear supporting surfaces equipped with rubber strips protect sheets of glass from damage



### Bottom supporting surface of wood with felt

Lower supporting surface covered with felt. Additional plastic strips on the floor





### GF 1000 / GLASS COMPARTMENT/GLAZING BEAD TROLLEYS

---

- Length 1,180 mm
- Width 850 mm
- Height 1,360 mm
- 20 compartments
- Clearance 30 mm
- Weight 95 kg
- Load 400 kg
- Roller diameter 125 mm