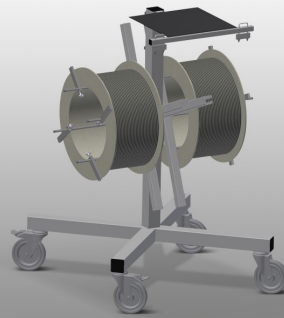




DW2

GASKET TROLLEYS

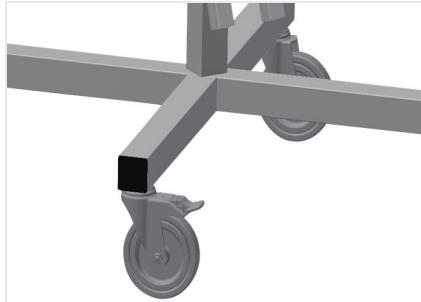


Gasket trolley for gasket reels

- Stable steel construction
- Two reel mounts
- Indispensable for gasket insertion
- Adjustable for any reel diameter
- Tool tray
- Four castors, two of which have a fixing brake

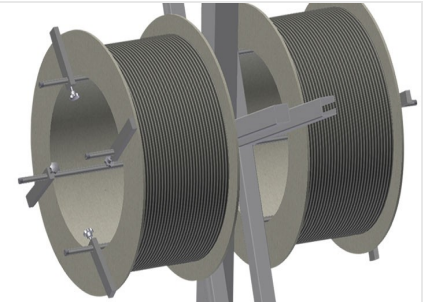


Gasket trolley DW 2



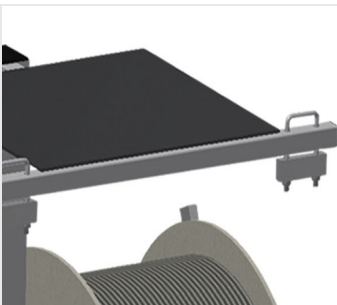
Castors

Four castors, two of which have a fixing brake, provide a high degree of mobility and easy, safe handling



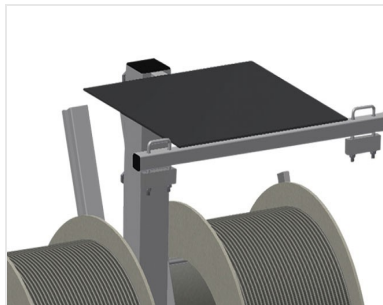
Reel mounts

For two gasket reels. Mounts adjustable for any reel size.



Unwinding brake

Unwinding brake for each reel



Storage area for tools

Practical tool tray located at working height





DW 2 / GASKET TROLLEYS

- Length 700 mm
- Width 700 mm
- Height 1,005 mm
- Two reel mounts
- Max. reel diameter 750 mm
- Max. reel width 250 mm
- Weight 25 kg
- Roller diameter 125 mm