



VR4000 F

VERTICAL ROLLER CONVEYORS



Vertical roller conveyor for transportation of window elements

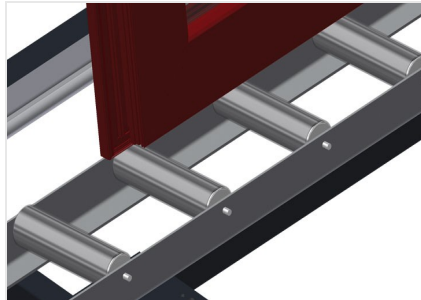
- Stable steel construction
- Vertical roller conveyor for smooth transportation to the next work task as well as for transportation to storage and sorting of the finished windows
- Easy handling of window elements
- Every roller conveyor unit is 4,000 mm long
- Plastic slide bars top and bottom
- Three mini-roller conveyors with rubber rollers, diameter 50 mm
- Basic unit with end rack
- Vertical roller conveyor on rails with flanged rollers, mobile

Options

- Rail, 2.0 m, left and right
- End stop for VR
- Lead-in roller for VR
- Profile protectors for support rollers (Alum.)

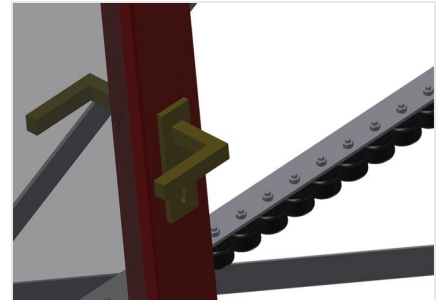


Vertical roller conveyor VR 4000 F



Support rollers

Rollers throughout, support roller width 200 mm. Roller conveyor units, 2,000 mm, 3,000 mm and 4,000 mm long



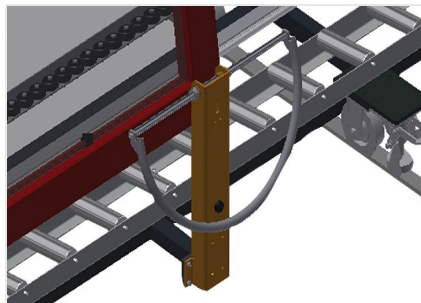
Mini-roller conveyor

Three mini-roller conveyors with rubber rollers, diameter 50 mm



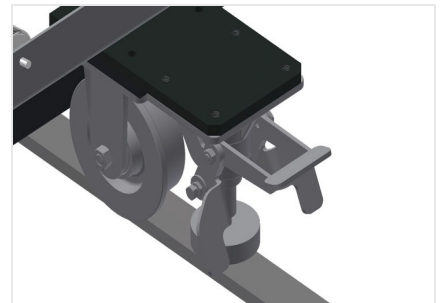
Back support

Rear back support with plastic slide bars, top and bottom



Grip

Grip makes pushing the roller conveyor on the rails easy



Mobility unit

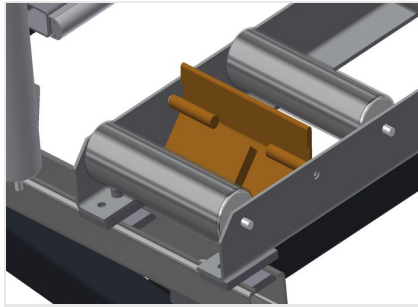
Mobility unit with flanged rollers and fixing brake





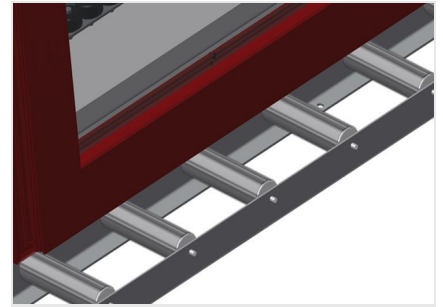
Rails

Rails, 2.0 m, left and right



End stop

End stop Rb = 200 mm



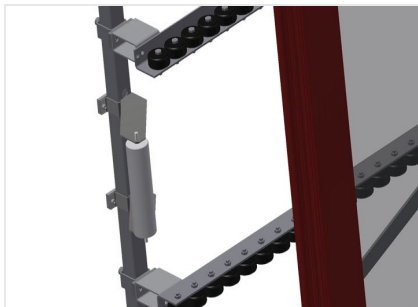
Profile protectors

Profile protectors for support rollers 200 mm (Alum./11 x, Alum./16 x and Alum./21 x). Support rollers covered with protective tubing



Lead-in rollers

Protective rollers for beginning or end of roller conveyor L = 500 mm (pair) L = 250 mm (pair)



Additional mini-roller conveyors

Additional mini-roller conveyors with rubber rollers top/bottom





VR 4000 F / VERTICAL ROLLER CONVEYORS

- Length 4,000 mm
- Width 1,000 mm
- Height 2,490 mm
- Support roller width 200 mm
- Unit height 2,100 mm
- Load 200 kg
- Weight 200 kg