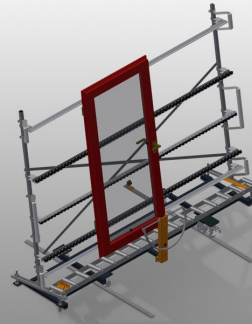




### VR3000 F

#### Vertical roller conveyors



Vertical roller conveyor for transportation of window elements

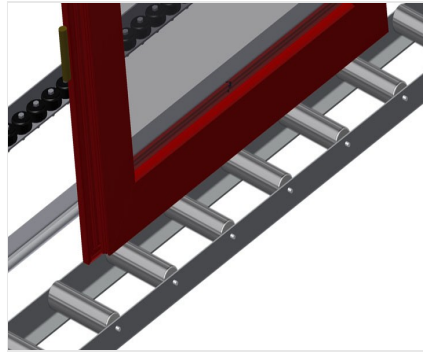
- Stable steel construction
- Vertical roller conveyor for smooth transportation to the next work task as well as for transportation to storage and sorting of the finished windows
- Easy handling of window elements
- Every roller conveyor unit is 3,000 mm long
- Plastic slide bars top and bottom
- Three mini-roller conveyors with rubber rollers, diameter 50 mm
- Basic unit with end rack
- Vertical roller conveyor on rails with flanged rollers, mobile

#### Options

- Rail, 2.0 m, left and right
- End stop for VR
- Lead-in roller for VR
- Profile protectors for support rollers (Alum.)



### Vertical roller conveyor VR 3000 F



### Support rollers

Rollers throughout, support roller width 200 mm. Roller conveyor units, 2,000, 3,000 and 4,000 mm long



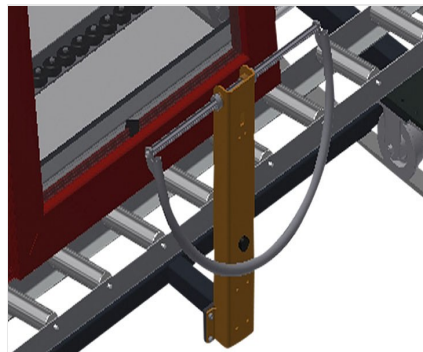
### Mini-roller conveyor

Three mini-roller conveyors with rubber rollers, diameter 50 mm



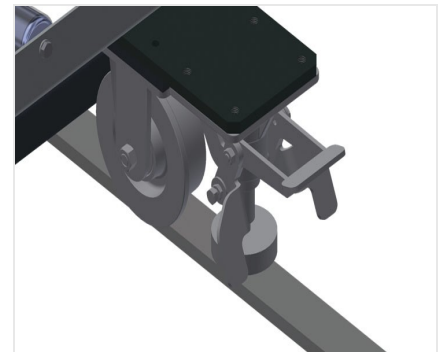
### Back support

Rear back support with plastic slide bars, top and bottom



### Grip

Grip makes pushing the roller conveyor on the rails easy



### Mobility unit

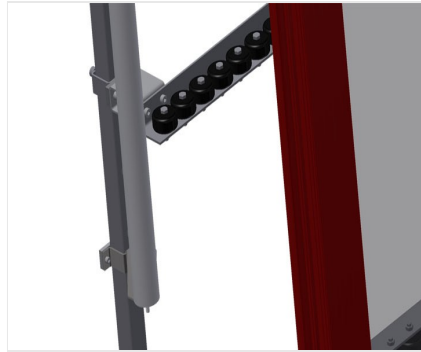
Mobility unit with flanged rollers and fixing brake





### End stop

End stop Rb = 200 mm for VR



### Lead-in rollers

Protective rollers for beginning or end of roller conveyor L = 500 mm (pair) L = 250 mm (pair)



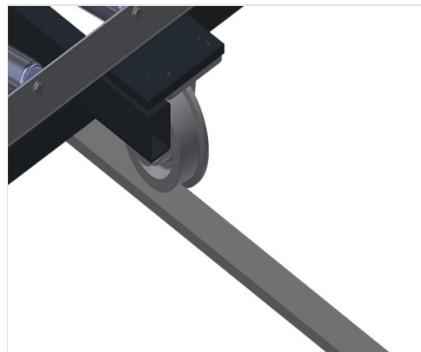
### Profile protectors

Profile protectors for support rollers 200 mm (Alum./11 x, Alum./16 x and Alum./21 x). Support rollers covered with protective tubing



### Additional mini-roller conveyors

Additional mini-roller conveyors with rubber rollers top/bottom



### Rails

Rails, 2.0 m, left and right





### VR 3000 F / VERTICAL ROLLER CONVEYORS

---

- Length 3,000 mm
- Width 1,000 mm
- Height 2,490 mm
- Support roller width 200 mm
- Unit height 2,100 mm
- Load 200 kg
- Weight 140 kg