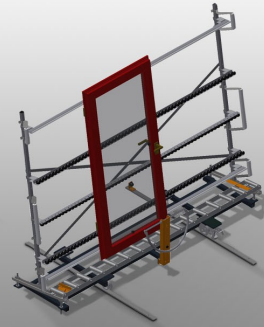




VR3000 DF

Vertical roller conveyors



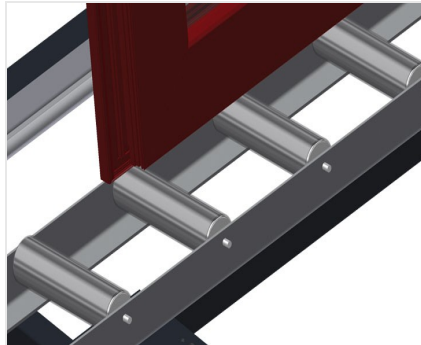
- Stable steel construction
- Vertical roller conveyor for smooth transportation to the next work task as well as for transportation to storage and sorting of the finished windows
- Easy handling of window elements
- Every roller conveyor unit is 3,000 mm long
- Plastic slide bars top and bottom
- Three mini-roller conveyors with rubber rollers, diameter 50 mm
- Basic unit with end rack
- Vertical roller conveyor on rails with flanged rollers, mobile
- Roller conveyor can be rotated 360°

Options

- Rail, 2.0 m, left and right
- End stop for VR
- Lead-in roller for VR
- Profile protectors for support rollers (Alum.)

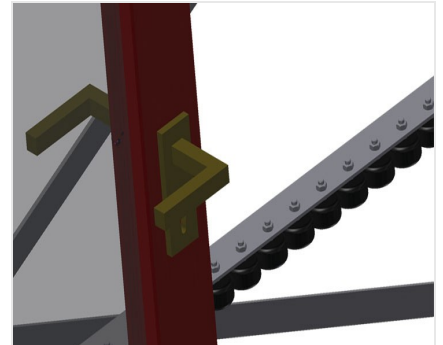


Vertical roller conveyor VR 3000 DF with mobility and rotation mechanism



Support rollers

Rollers throughout, support roller width,
200 mm.



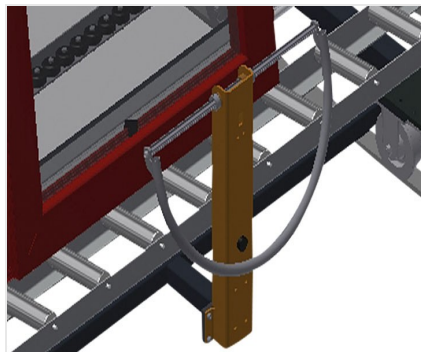
Mini-roller conveyor

Three mini-roller conveyors with rubber
rollers, diameter 50 mm



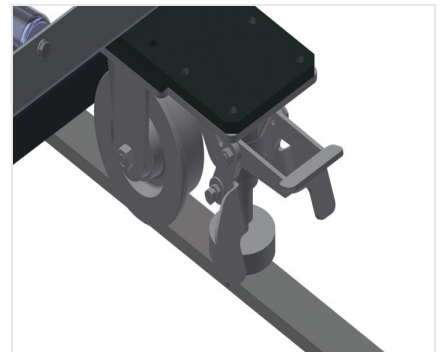
Back support

Rear back support with plastic slide bars,
top and bottom



Grip

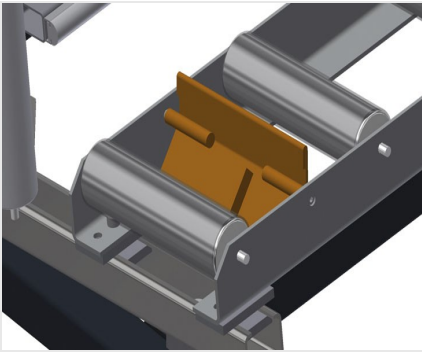
Grip makes pushing the roller conveyor on
the rails easy



Mobility unit

Mobility unit with flanged rollers and fixing
brake





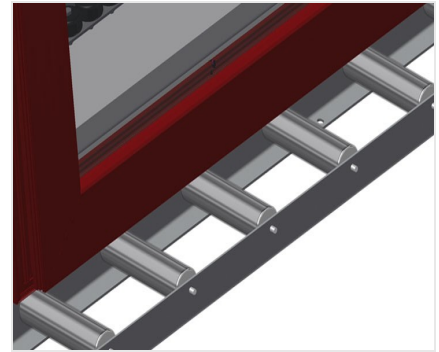
End stop

End stop Rb = 200 mm



Lead-in rollers

Protective rollers for beginning or end of roller conveyor L = 500 mm (pair) L = 250 mm (pair)



Profile protectors

Profile protectors for support rollers 200 mm (Alum./16 x). Support rollers covered with protective tubing



Additional mini-roller conveyors

Additional mini-roller conveyors with rubber rollers top/bottom



Rails

Rails, 2.0 m, left and right.





VR 3000 DF / VERTICAL ROLLER CONVEYORS

- Length 3,000 mm
- Width 1,000 mm
- Height 2,490 mm
- Support roller width 200 mm
- Unit height 2,100 mm
- Load 200 kg
- Weight 180 kg