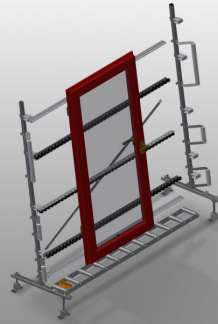




VR2000

Vertical roller conveyors

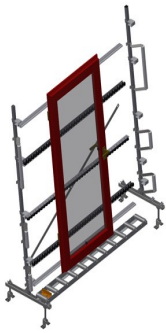


Vertical roller conveyor for transportation and storage of window elements

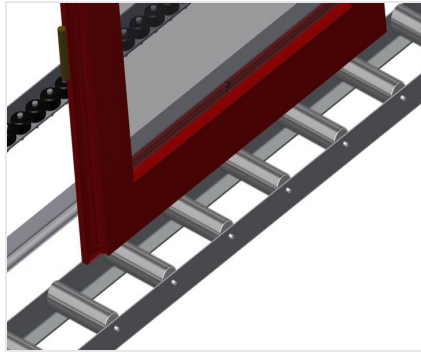
- Stable steel construction
- Expandable using modular system design
- Vertical roller conveyor for smooth transportation and storage of window elements
- Easy handling of window elements
- Every roller conveyor unit is 2,000 mm long
- Plastic slide bars top and bottom
- Three mini-roller conveyors with rubber rollers, diameter 50 mm
- Basic unit without end rack

Options

- End rack
- End stop
- Lead-in roller
- Profile protectors for support rollers (Alum.)



Vertical roller conveyor VR 2000



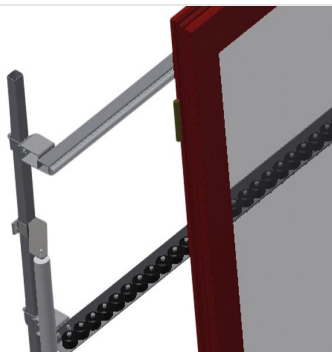
Support rollers

Rollers throughout, support roller width 200 mm. Roller conveyor units, 2,000, 3,000 and 4,000 mm long



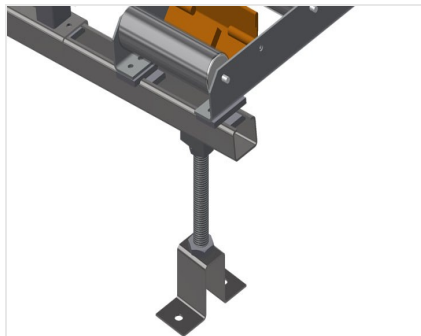
Mini-roller conveyor

Three mini-roller conveyors with rubber rollers, diameter 50 mm



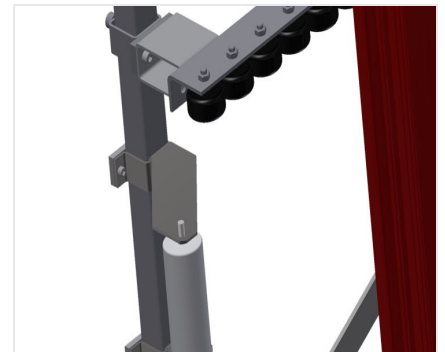
Back support

Rear back support with plastic slide bars, top and bottom



Roller conveyor height adjustment

Lower roller conveyor height can be adjusted by means of adjustable feet



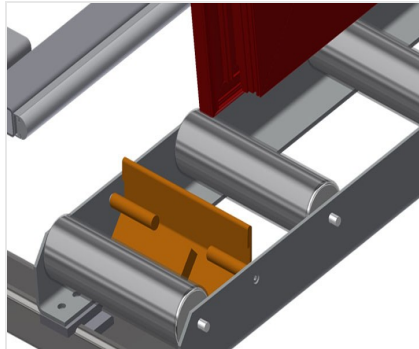
Mini-roller conveyor height adjustment

Mini-roller conveyor height is adjustable



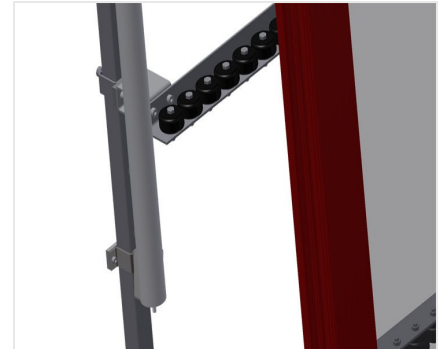
End rack

End rack is mandatory at end of line



End stop

End stop Rb = 200 mm for VR



Lead-in rollers

Protective rollers for beginning or end of roller conveyor L = 500 mm (pair) L = 250 mm (pair)



Profile protectors

Profile protectors for support rollers 200 mm (Alum./11 x and Alum./16 x). Support rollers covered with protective tubing



Additional mini-roller conveyors

Additional mini-roller conveyors with rubber rollers top/bottom





VR 2000 / VERTICAL ROLLER CONVEYORS

- Length 2,000 mm
- Width 900 mm
- Height 2,400 mm
- Support roller width 200 mm
- Unit height 2,100 mm
- Load 200 kg
- Weight 80 kg