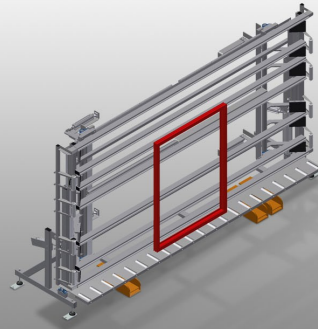




VE4000

Inspection and glazing
unit

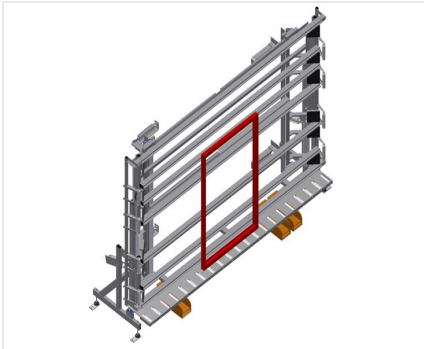


Inspection and glazing unit for glazing and final inspection in individual and serial assembly line production

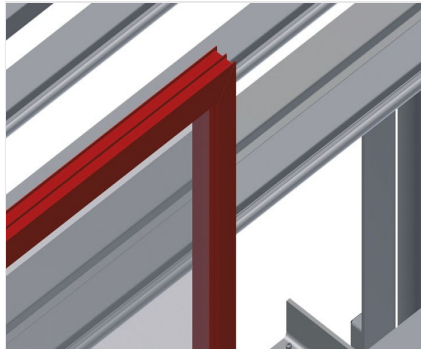
- Stable steel construction
- Quick and precise assembly of windows, doors and elements
- Precision ensured through parallel clamping bar pressing technique
- For glazing and functional checks
- For connecting frames and sashes
- Height continuously adjustable
- Two pressing bars which fold down and can be moved pneumatically
- Easy operation by means of foot switch
- 4-fold compressed air supply

Options

- Lead-in rollers, compl., right
- Lead-in rollers, compl., left
- Profile protectors for support rollers
- Tilt adjustment of 0° - 8°

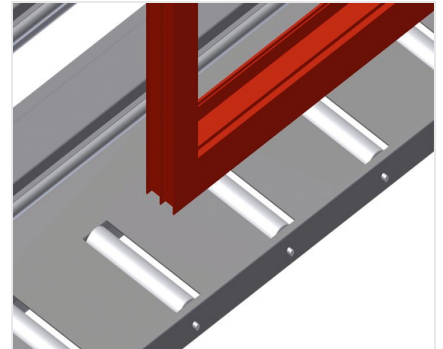


Inspection and glazing unit VE 4000



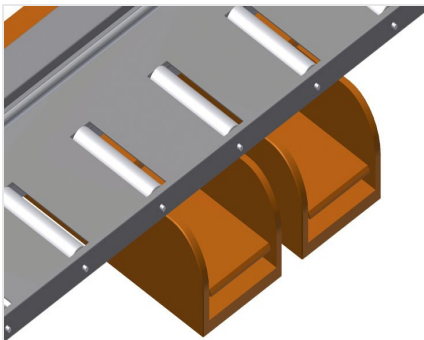
Back support

Rear back support with plastic slide bars



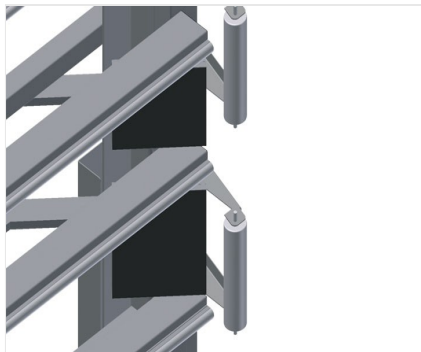
Supports

Lower roller conveyor with support rollers, L = 200 mm



Foot switch

All functions are controlled via foot valves



Pressing bar

Simultaneous, synchronous folding down and moving of the pressing bars ensure a minimum of time is required for opening and closing the press. Allows free pass-through of the window.



Lead-in rollers, cmpl., right

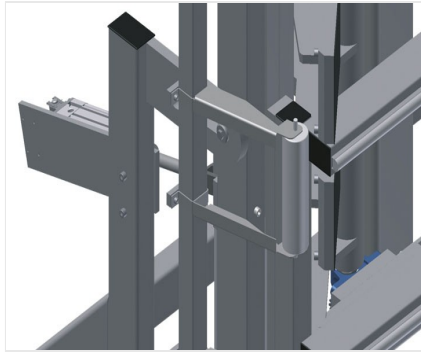
Protective rollers for beginning or end of roller conveyor





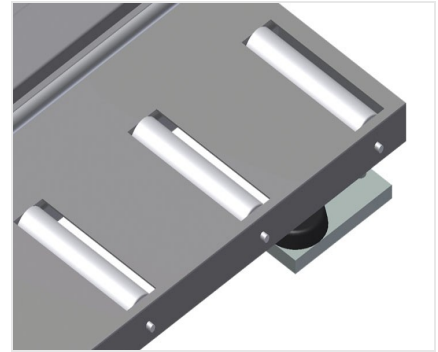
Lead-in rollers, cmpl., left

Protective rollers for beginning or end of roller conveyor



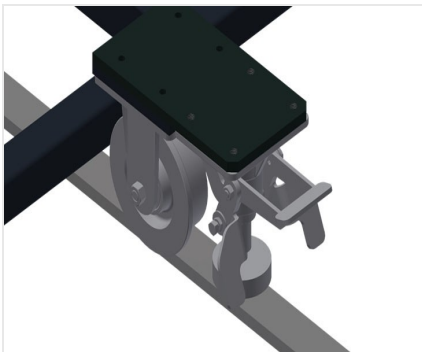
Tilt adjustment of 0° - 8°

Pneumatic tilt adjustment of 0° - 8°



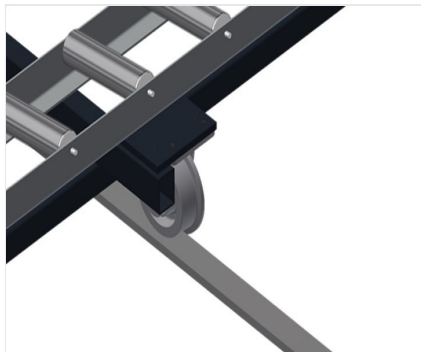
Profile protectors

Profile protectors for support rollers 200 (Alum./26 x). Support rollers covered with protective tubing for aluminium elements



Mobility unit

Mobility unit for KT/KTH/MS/VE. Mobility unit with flanged rollers and fixing brake



Rails

Rails, 2.0 m, left and right





VE 4000 / INSPECTION AND GLAZING UNIT

- Length 5,440 mm
- Width 1,180 mm
- Height 2,600 mm
- Max. clamping width 4,000 mm
- Min. clamping width 390 mm
- Height adjustment 500 mm
- Clamping bar height 2,300 mm
- Clamping bar width 200 mm
- Lower roller conveyor width 200 mm
- Weight 580 kg
- Load 200 kg
- Compressed air supply 7 bar
- Air consumption 35 l/min.