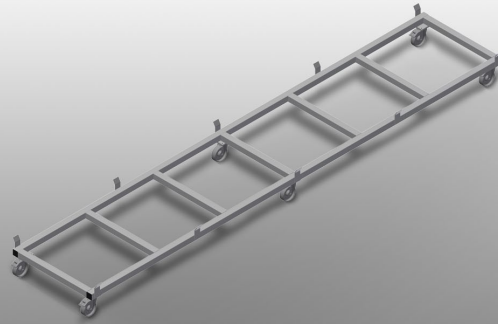




### TPK4000

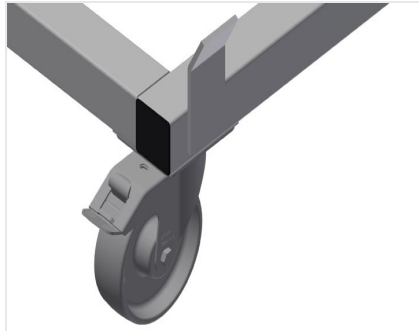
Profile transport trolleys



- Stable steel construction
- Transport trolley for carrying profile cassettes
- Ideal for transporting profile cassettes from storage to the saw or to the machining centre
- For profile pallets of up to 760 mm width
- Safety tabs to secure the pallets
- Six rollers, four castors with fixing brakes and two fixed rollers

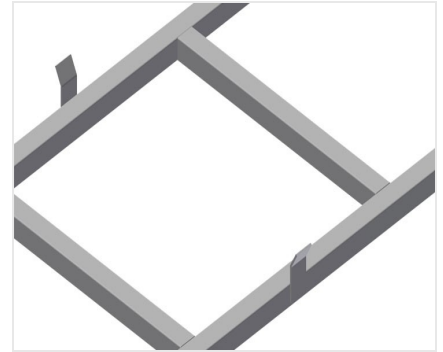


### Transport trolley for profile cassettes TPK 4000



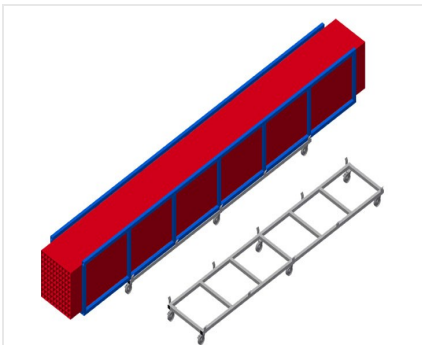
### Casters

Six rollers, four with a fixing brake and two fixed rollers, provide a high degree of mobility and easy, safe handling



### Safety tabs

Safety tabs to secure the pallets



### Transport trolley for profile cassettes TPK 4000

Transport trolley with long goods pallet





**TPK 4000 / PROFILE TRANSPORT TROLLEYS**

---

- Length 4,000 mm
- Width 820 mm
- Height 285 mm
- Load width 770 mm
- Weight 65 kg
- Load 1,200 kg
- Roller diameter 125 mm