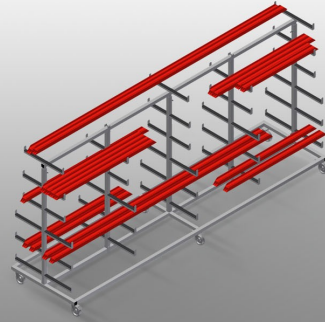




PWW4000

PROFILE TRANSPORT TROLLEYS

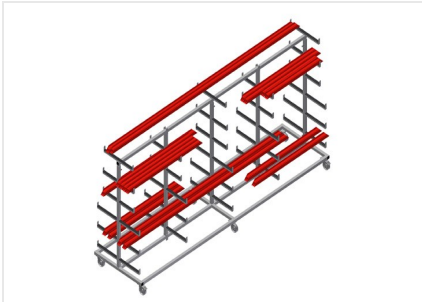


Profile trolley for horizontal storage and transportation of profiles

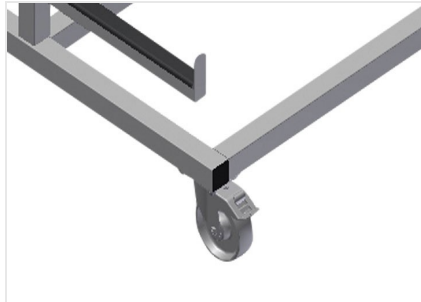
- Stable steel construction
- Horizontal profile transportation
- Easy transportation of profile raw materials and cut-to-size profiles
- Support arms are rubber coated
- Profile trolley with profile supports on both sides
- Six supports per upright
- Three centre uprights
- Six castors, two of which have a fixing brake

Options

- Individual centre upright

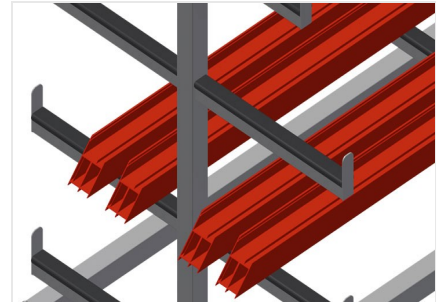


Profile transport trolley PWW 4000



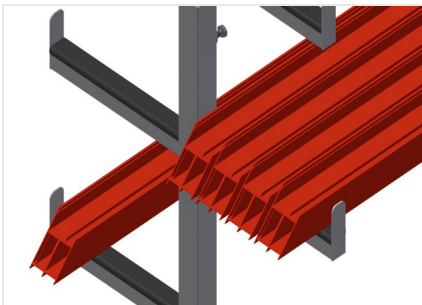
Casters

Six casters, two of which have a fixing brake, provide a high degree of mobility and easy, safe handling



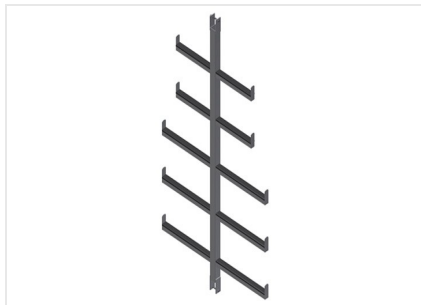
Support arms

Support arms are rubber coated. Adjustable centre upright



Easy loading and unloading

Well-organised storage provides quick access



Individual centre upright

Additional centre uprights





PWW 4000 / PROFILE TRANSPORT TROLLEYS

- Length 4,000 mm
- Width 1,000 mm
- Height 1,960 mm
- Eleven shelves
- Clearance 260 mm
- Lower shelf width 420 mm
- Upper shelf width 300 mm
- Weight 130 kg
- Load 500 kg
- Roller diameter 125 mm