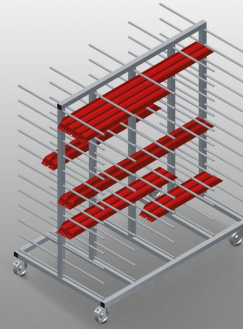




PHW1600

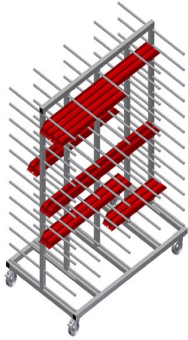
Profile transport trolleys



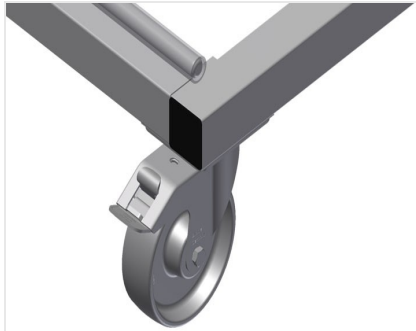
- Profile trolley for horizontal storage and transportation of profiles
- Stable steel construction
- Horizontal profile transportation
- Profile trolley with profile supports on both sides
- Twelve storage areas per upright
- Four castors, two of which have a fixing brake

Options

- Plastic protector for PHW 1600/2000
- Number label for PHW 1600/2000



Profile transport trolley PHW 1600



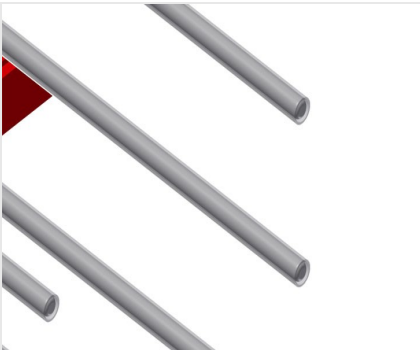
Casters

Four casters, two of which have a fixing brake, provide a high degree of mobility and easy, safe handling



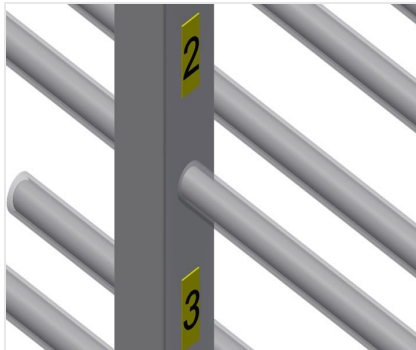
Support arms

Compartment width 120 mm, Compartment depth 450 mm, easy loading and unloading, well-organised storage provides quick access



Plastic protector for PHW 1600/2000

All supporting surfaces have a non-slip PVC cladding which protects surfaces from damage during storage



Number labels for PHW 1600/2000

Numbering of the compartments PHW 1600/2000





PHW 1600 / PROFILE TRANSPORT TROLLEYS

- Length 1,600 mm
- Width 1,000 mm
- Height 1,850 mm
- 24 shelves
- Clearance 120 mm
- Compartment width 450 mm
- Weight 140 kg
- Load 350 kg
- Roller diameter 125 mm