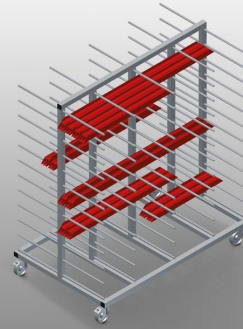


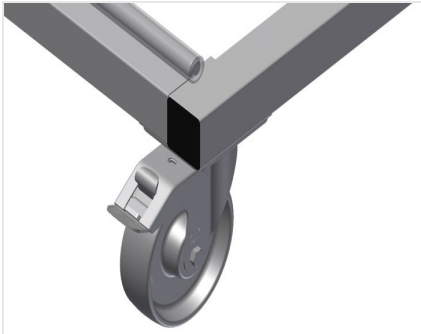


PHW

Profile transport trolleys

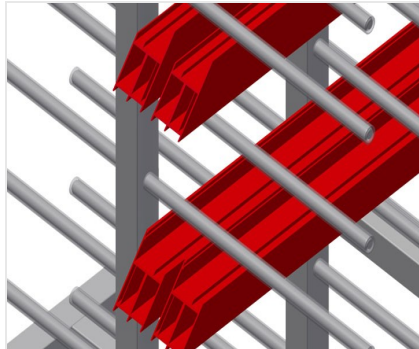


Profile trolley for horizontal storage and transportation of profiles. Stable steel construction. Horizontal profile transportation. Profile trolley with profile supports on both sides. Twelve storage areas per upright. Four swivel castors, two of which with locking stop.



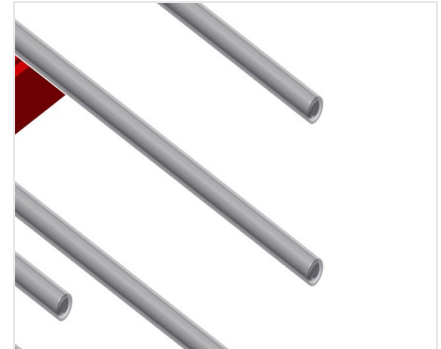
Casters

Four casters, two of which have a fixing brake, provide a high degree of mobility and easy, safe handling



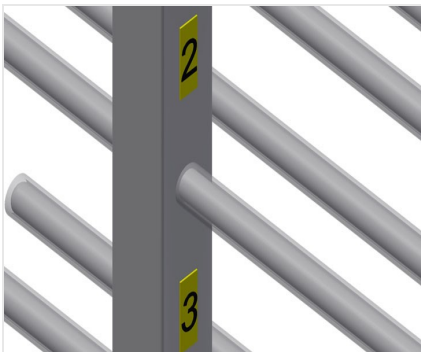
Support arms

Compartment width 120 mm, Compartment depth 450 mm, easy loading and unloading, well-organised storage provides quick access



Plastic protector

All supporting surfaces have a non-slip PVC cladding which protects surfaces from damage during storage



Number labels

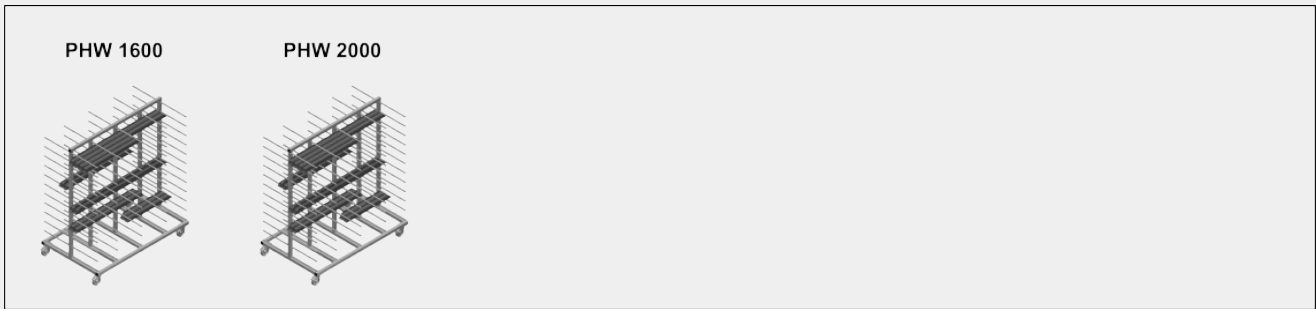
Numbering of the compartments





PHW / PROFILE TRANSPORT TROLLEYS

MODELS



DIMENSION AND WEIGHT

PHW 1600 / PHW 2000

Length (mm)	<input type="radio"/>
Width (mm)	<input type="radio"/>
Height (mm)	<input type="radio"/>
Weight (kg)	<input type="radio"/>

STORAGE CAPACITY

Shelves	<input type="radio"/>
Clearance (mm)	<input type="radio"/>
Compartment width (mm)	<input type="radio"/>
Load capacity (kg)	<input type="radio"/>

CHARACTERISTICS

Plastic protection	<input type="radio"/>
Number labels	<input type="radio"/>
Swivel castors	<input type="radio"/>
Swivel castors with locking stop	<input type="radio"/>
Swivel castors diameter (mm)	<input type="radio"/>

Included ● Available ○