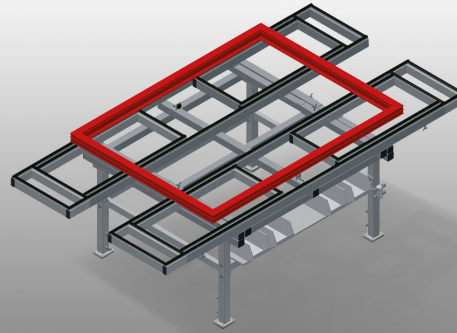


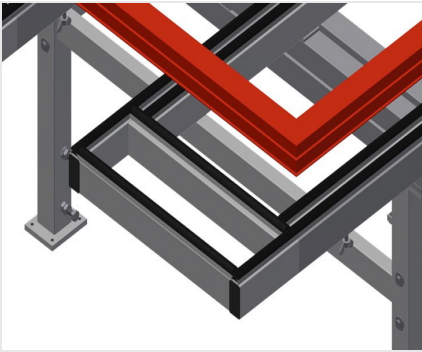


MTA

Horizontal assembly
tables

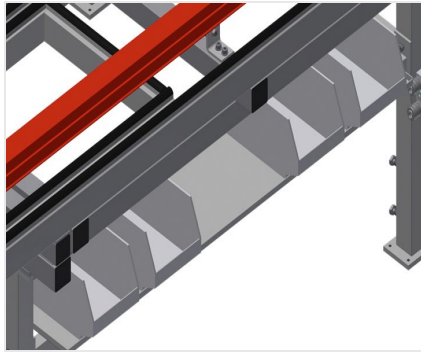


Assembly table expandable for all work tasks on frames and sashes. Stable steel construction. Universal assembly table. Pull-outs on four sides. Ideal for large elements. Adjustable height. Table supporting surface with plastic slide bars. Practical storage area under the table surface. Four PVC containers for small accessories, hardware and screws. 4-fold compressed air supply. Simple installation with a modular system design.



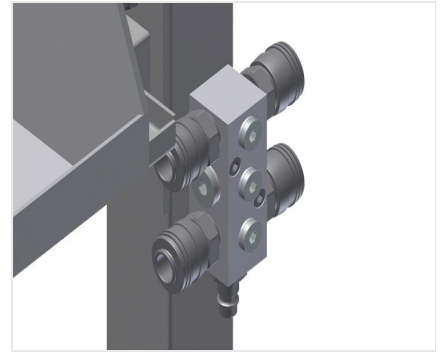
Supporting surfaces

Supporting surfaces with plastic slide bars



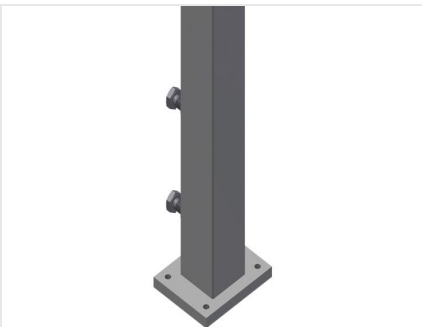
Storage area

Practical storage area under the table surface with 4 PVC containers for small accessories, hardware and screws



4-fold compressed air connection

4-fold compressed air connection for connecting compressed-air tools



Height adjustment

Adjustable height; working height can be set to 850 - 1,000 mm by means of adjustable feet



Brush strip

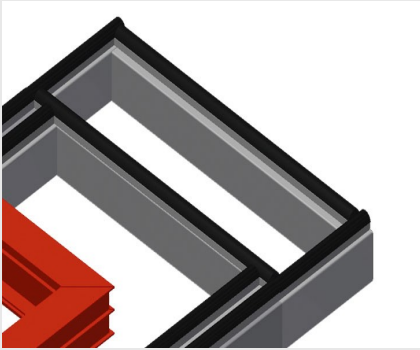
Supporting surfaces with brush strip



Felt strip

Supporting surfaces with felt strip





Rubber strips

Supporting surfaces with rubber-knob profile



Casters, cmpl.

Two casters with brake and two fixed rollers provide mobility in all directions





MTA / HORIZONTAL ASSEMBLY TABLES

MODELS

MTA 3000



DIMENSION AND WEIGHT

Length (mm)	<input type="radio"/>
Width (mm)	<input type="radio"/>
Height (mm)	<input type="radio"/>
Weight (kg)	<input type="radio"/>

SUPPORTING SURFACE

Adjustable height	<input checked="" type="radio"/>
Table brush strip supporting surface	<input type="radio"/>
Table felt profile strip supporting surface	<input type="radio"/>
Table rubber knob profile	<input type="radio"/>

CHARACTERISTICS

Storage area under the table surface	<input checked="" type="radio"/>
PVC containers	<input type="radio"/>
4-fold compressed air supply	<input checked="" type="radio"/>
Castor wheel Stand Alone (2 castors + 2 fixed)	<input type="radio"/>

Included ● Available ○