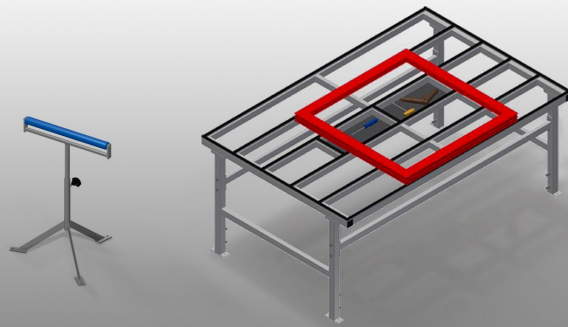




## MST

Horizontal assembly  
tables



MST 1000: Stable steel construction galvanised. Plastic support rollers. Height is adjustable.

MST 2000 - MST 3000: Assembly table expandable for all work tasks on frames and sashes. Stable steel construction. Horizontal frame transportation. Storage tray for setting down tools and accessories. Adjustable height. Table supporting surface with plastic slide bars. Simple installation with a modular system design.



### Plastic rollers MST 1000

Support rollers L = 500 mm



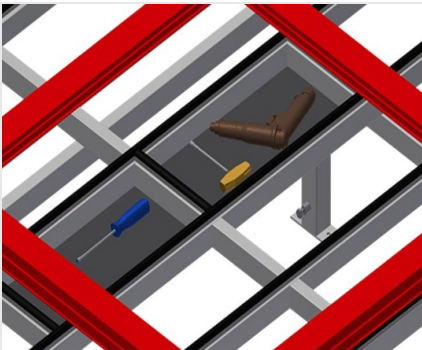
### Height adjustment MST 1000

Adjustable height 700 - 1,100 mm



### Supporting surfaces MST 2000 / MST 3000

Supporting surfaces with plastic slide bars



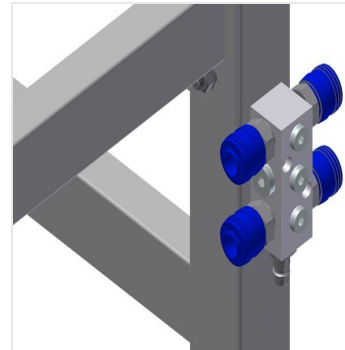
### Storage tray MST 2000 / MST 3000

Storage tray for setting down tools and accessories



### Height adjustment MST 2000 / MST 3000

Adjustable height; working height can be set to 850 - 1,000 mm by means of adjustable feet



### 4-fold compressed air connection MST 2000 / MST 3000

4-fold compressed air connection for connecting compressed-air tools



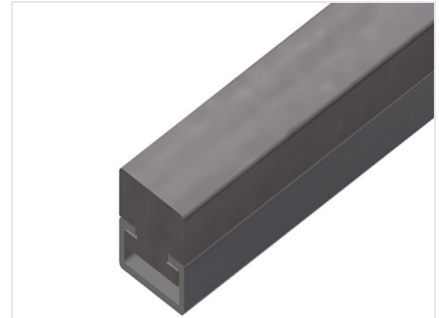
### **Casters, compl. MST 2000 / MST 3000**

Two casters with brake and two fixed rollers provide mobility in all directions



### **Brush strip MST 2000 / MST 3000**

Supporting surfaces with brush strip



### **Felt strip MST 2000 / MST 3000**

Supporting surfaces with felt strip



### **Rubber strips MST 2000 / MST 3000**

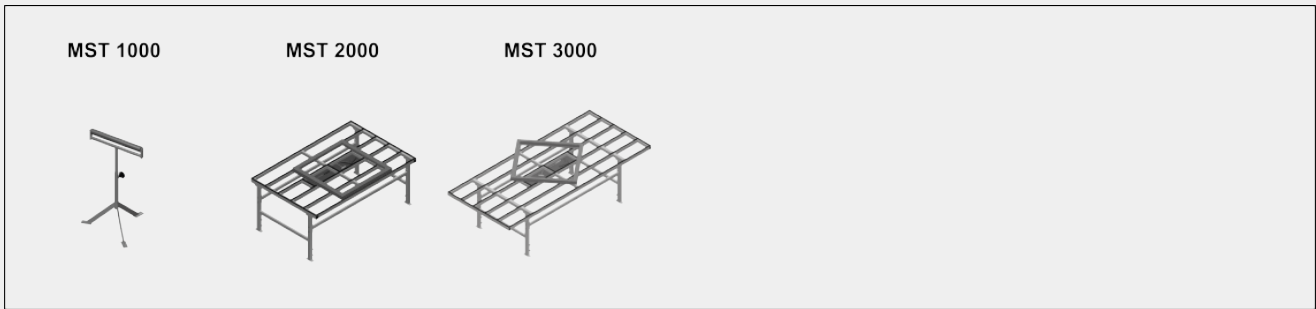
Supporting surfaces with rubber-knob profile





### MST / HORIZONTAL ASSEMBLY TABLES

#### MODELS



#### DIMENSION AND WEIGHT

##### MST 1000 / MST 2000 / MST 3000

Length (mm)

Width (mm)

Weight (kg)

##### MST 2000 / MST 3000

Height (mm)

#### SUPPORTING SURFACE

##### MST 1000

Support roller diameter (mm)

Support roller length (mm)

Adjustable height (mm)

##### MST 2000 / MST 3000

Adjustable height

Storage tray for setting down tools and accessories

Table brush strip supporting surface

Table felt profile strip supporting surface

Table rubber knob profile



**CHARACTERISTICS**

**MST 2000 / MST 3000**

- 4-fold compressed air supply
- Castor wheel Stand Alone (2 castors + 2 fixed)

Included ● Available ○