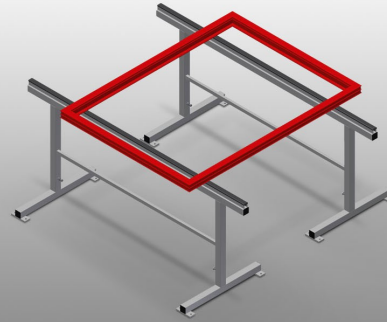


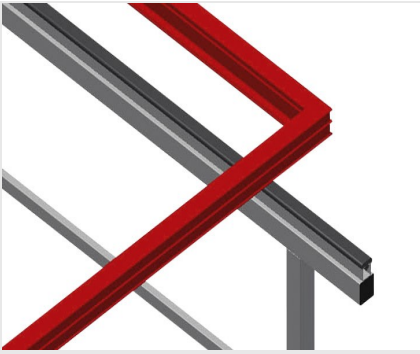


**MB**

Assembly stands



Assembly stands for working on large window elements. Stable steel construction. Assembly stand 2.0 m long. Simple installation with a modular system design. Rubber profile supporting surface. Set of assembly stands (1 pair). Adjustable height.



**Supporting surfaces**

Supporting surfaces with rubber profile



**Height adjustment**

Adjustable height 850 - 1,000 mm





### MB / ASSEMBLY STANDS

#### MODELS

MB 2000



#### DIMENSION AND WEIGHT

Length (mm)	<input type="radio"/>
Width (mm)	<input type="radio"/>
Height (mm)	<input type="radio"/>
Weight (kg)	<input type="radio"/>

#### SUPPORTING SURFACE

Assembly stand length (m)	<input type="radio"/>
Set of assembly stands: 1 pair	<input checked="" type="radio"/>
Rubber profile supporting surface	<input checked="" type="radio"/>

Included ● Available ○