



### HT3000

#### HORIZONTAL ASSEMBLY TABLES

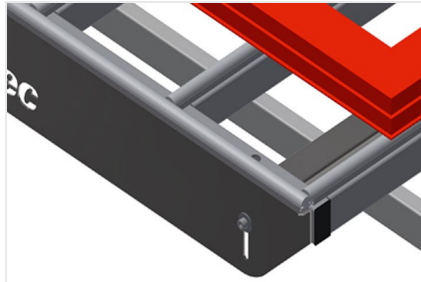


Modular work table for a production line (basic module)

- Stable steel construction
- Universal system of work tables for lines with a continuous production flow
- Modular system – basic module + additional module
- Add-on elements for individualised expansion
- Additional modules are easy to install
- Versatile work table for all applications: for example, as an individual table in the production flow, as an in-line workstation for assembly work, as a work table for gasket insertion, for the post-processing of special-order production items or as a buffer zone
- Table supporting surface with plastic slide bars
- Adjustable height
- Simple installation with a modular system design

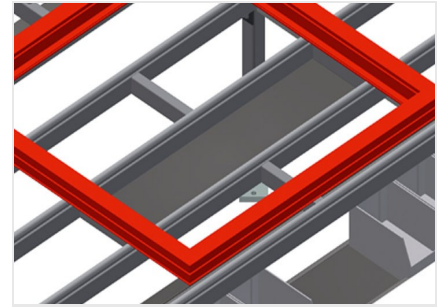


### Horizontal table - Expansion HT 3000 E



### Supporting surfaces

Supporting surfaces with plastic slide bars



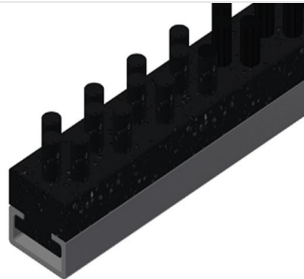
### Storage tray

Storage tray for setting down tools and accessories



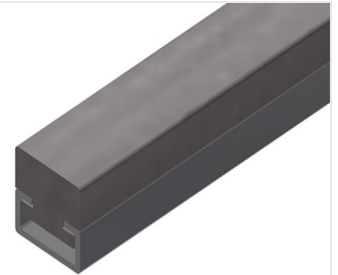
### Height adjustment

Adjustable height. Working height can be set to 850 - 1,000 mm by means of adjustable feet



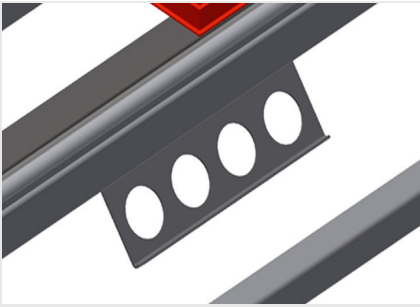
### Brush strip

Supporting surfaces with brush strip



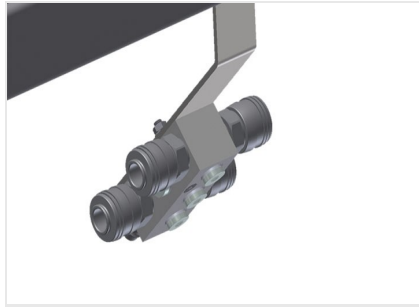
### Felt strip

Supporting surfaces with felt strip



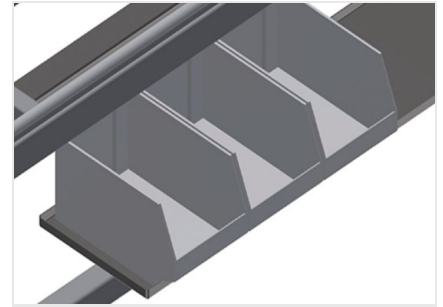
### Tool rack

Tool rack for pneumatic or electrical tools



### 4-fold compressed air connection

4-fold compressed air connection for connecting compressed-air tools



### Storage area

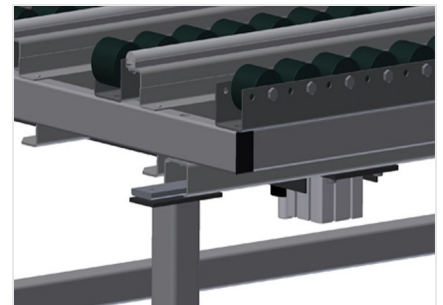
Storage area with six plastic trays for small accessories, hardware and screws



### End rack for HT 3000



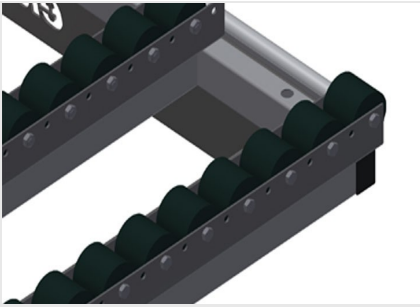
### End strip with knob profile



### Pneumatic lifting unit

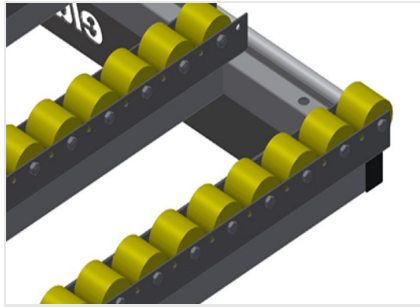
L = 3000 mm for HT 3000





### Roller support, compl. for HT 3000/PVC

Hard plastic rollers with polyamide coating, on plain bearings, load per roller: 60 kg, convenient for transport and handling of PVC elements



### Roller support, compl., for HT 3000/Alum.

Plastic rollers with polyurethane coating, on ball bearings, load per roller: 40 kg, convenient for transport and handling of aluminium elements



### Rubber strips

Supporting surfaces with rubber-knob profile for aluminium elements





**HT 3000 / HORIZONTAL ASSEMBLY TABLES**

---

- Length 3,000 mm
- Height 850 - 1,000 mm
- Width 1,300 mm
- Weight 100 kg