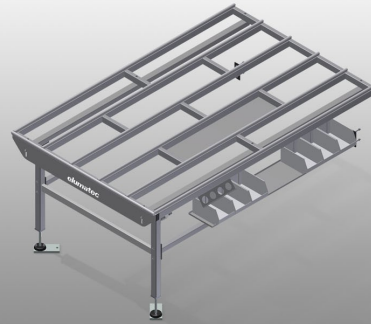




### HT2000

#### HORIZONTAL ASSEMBLY TABLES

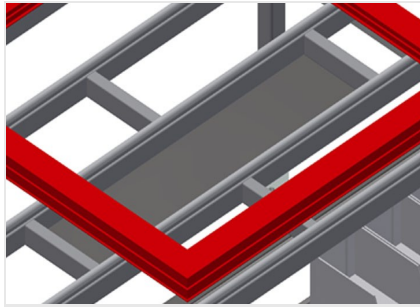


Modular work table for a production line (basic module)

- Stable steel construction
- Universal system of work tables for lines with a continuous production flow
- Modular system – basic module + additional module
- Add-on elements for individualised expansion
- Additional modules are easy to install
- Versatile work table for all applications: for example, as an individual table in the production flow, as an in-line workstation for assembly work, as a work table for gasket insertion, for the post-processing of special-order production items or as a buffer zone
- Table supporting surface with plastic slide bars
- Adjustable height
- Simple installation with a modular system design

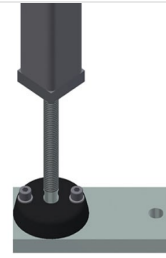


**Horizontal table -  
Expansion HT 2000 E**



**Storage tray**

Storage tray for setting down accessories and tools



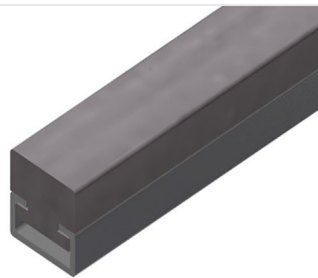
**Height adjustment**

Adjustable height. Working height can be set to 850 - 1.000 mm by means of adjustable feet



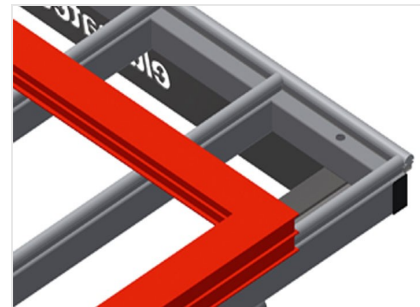
**Brush strip**

Supporting surfaces with brush strip



**Felt strip**

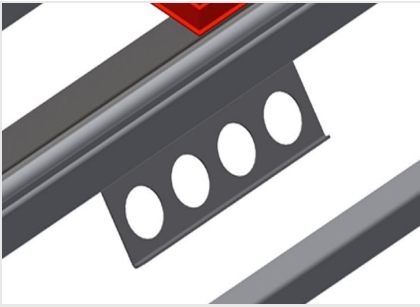
Supporting surfaces with felt strip



**Supporting surfaces**

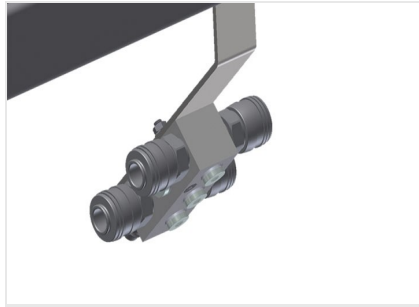
Supporting surfaces with plastic slide bars





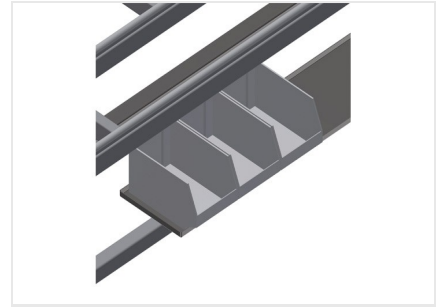
### Tool rack

Tool rack for pneumatic or electrical tools



### 4-fold compressed air connection

4-fold compressed air connection for connecting compressed-air tools



### Storage area

Storage area with six plastic trays for small accessories, hardware and screws

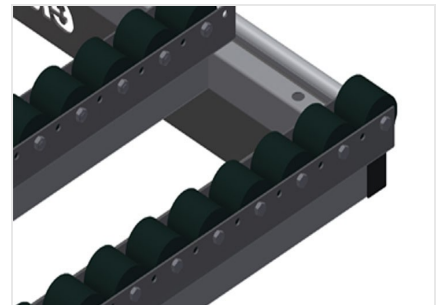


### End rack

End rack for HT 2000



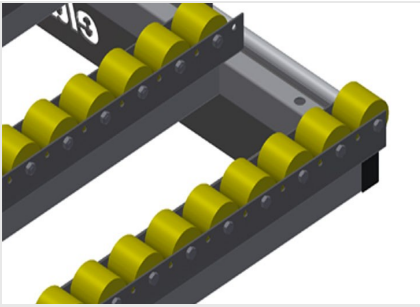
### End strip with knob profile



### Roller support, compl., for HT 2000/PVC

Hard plastic rollers with polyamide coating, on plain bearings. Load per roller: 60 kg, convenient for transport and handling of PVC elements





### Roller support, cmpl., for HT 2000/Alum.

Plastic rollers with polyurethane coating, on ball bearings. Load per roller: 40 kg, convenient for transport and handling of aluminium elements



### Fold-up pass-through section for HT

Roller support, cmpl., for fold-up pass-through section/PVC. Rubber roller support cmpl. for fold-up pass-through section/Alum.



### Rubber strips

Supporting surfaces with rubber-knob profile for aluminium elements





**HT 2000 / HORIZONTAL ASSEMBLY TABLES**

---

- Length 2,000 mm
- Height 850 - 1,000 mm
- Width 1,300 mm
- Weight 80 kg