



HT1000

HORIZONTAL ASSEMBLY TABLES



Horizontal table for all work tasks on frames and sashes

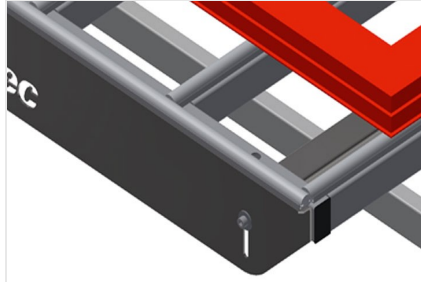
- Stable steel construction
- Table supporting surface with plastic slide bars
- Storage tray for setting down tools and accessories
- Adjustable height
- Simple installation with a modular system design

Options

- Also available with brush strips on request
- Also available with felt strips on request (for wooden elements)
- Also available with rubber strips on request (for aluminium elements)
- Roller support
- Tool rack
- 4-fold compressed air supply

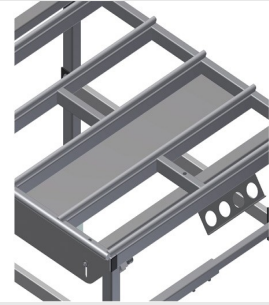


Horizontal table - Individual table HT 1000



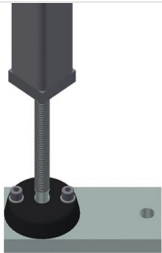
Supporting surfaces

Supporting surfaces with plastic slide bars



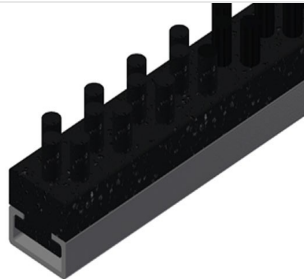
Storage tray

Storage tray for setting down tools and accessories



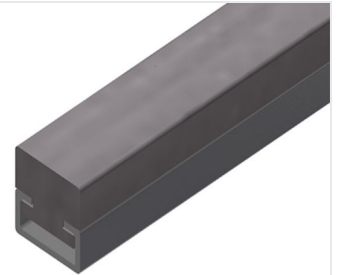
Height adjustment

Adjustable height; working height can be set to 850 - 1,000 mm by means of adjustable feet



Brush strip

Supporting surfaces with brush strip for HT 1000



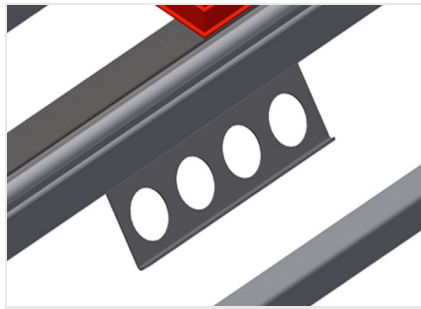
Felt strip

Supporting surfaces with felt strip for HT 1000



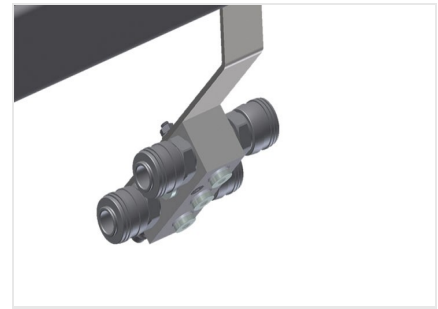
Rubber strips

Supporting surfaces with rubber-knob profile for aluminium elements



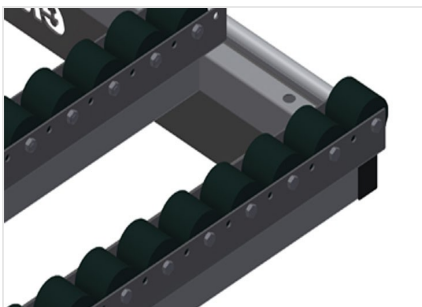
Tool rack

Tool rack for pneumatic or electrical tools



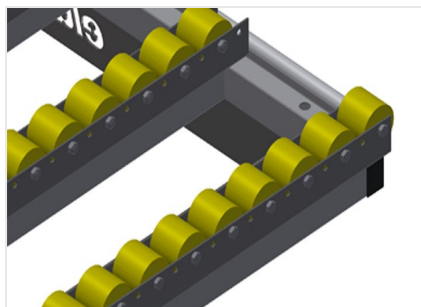
4-fold compressed air connection

4-fold compressed air connection for connecting compressed-air tools



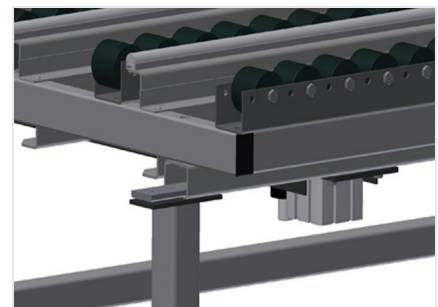
Roller support, cmpl., for HT 1000/PVC

Hard plastic rollers with polyamide coating, on plain bearings, load per roller: 60 kg, convenient for transport and handling of PVC elements



Rubber roller support, cmpl., for HT 1000/Alum.

Plastic rollers with polyurethane coating, on ball bearings, load per roller: 40 kg, convenient for transport and handling of aluminium elements



Pneumatic lifting unit

Lifting unit L = 1,000 mm





HT 1000 / HORIZONTAL ASSEMBLY TABLES

- Length 1,000 mm
- Width 1,300 mm
- Height 850 - 1,000 mm
- Weight 70 kg