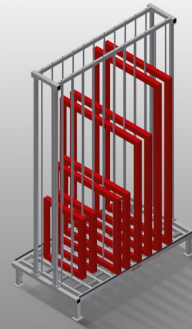




FFR

Rack systems

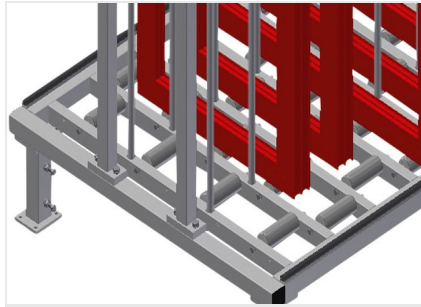


Rack for storage of window elements. Stable steel construction. Rack for storage of window sashes. The individual elements are available for direct access. Specially designed for integration in assembly lines. Access is possible from both sides. Supporting surfaces with support rollers for even easier loading and unloading. Compartment separating bars covered with protective tubing.



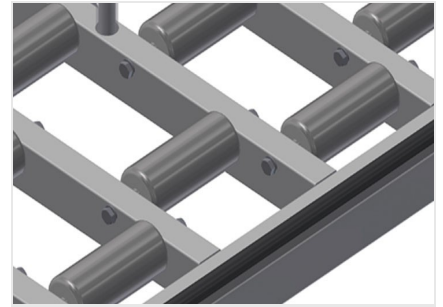
Compartments

All supporting surfaces have a non-slip PVC cladding which protects surfaces from damage during storage



Supports

Lower storage area with support rollers for easier loading and unloading



Profile protectors

Profile protectors for support rollers 3x 120 (Alum./48 x), support rollers covered with protective tubing



Casters, cml.

Two casters with brake and two fixed rollers provide mobility in all directions, roller diameter 125 mm





MODELS

FFR 10



DIMENSION AND WEIGHT

Length (mm)	<input type="radio"/>
Width (mm)	<input type="radio"/>
Height (mm)	<input type="radio"/>
Weight (kg)	<input type="radio"/>

STORAGE CAPACITY

Compartments	<input type="radio"/>
Compartment width (mm)	<input type="radio"/>
Compartment height (mm)	<input type="radio"/>
Load capacity (kg)	<input type="radio"/>

CHARACTERISTICS

Floor support equipped with knob profile	<input checked="" type="radio"/>
Compartment separating bars covered with protective tubing	<input checked="" type="radio"/>
Supporting surface with rollers	<input checked="" type="radio"/>
Rollers and handle	<input type="radio"/>

Included ● Available ○