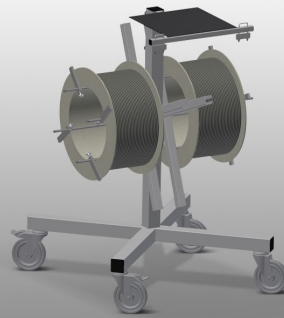




**DW2**

**GASKET TROLLEYS**

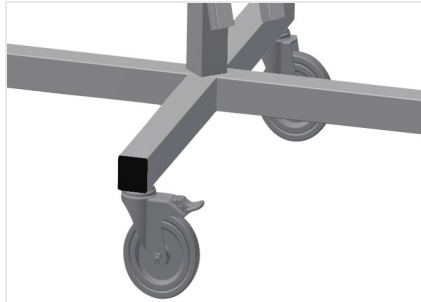


Gasket trolley for gasket reels

- Stable steel construction
- Two reel mounts
- Indispensable for gasket insertion
- Adjustable for any reel diameter
- Tool tray
- Four castors, two of which have a fixing brake

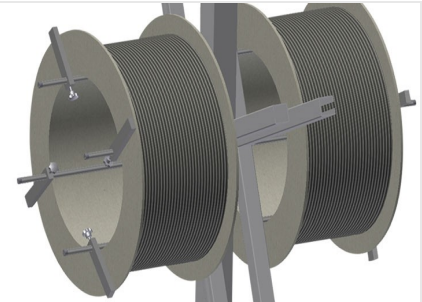


### Gasket trolley DW 2



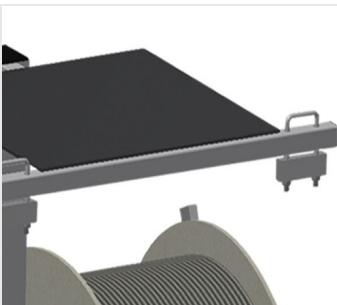
### Casters

Four casters, two of which have a fixing brake, provide a high degree of mobility and easy, safe handling



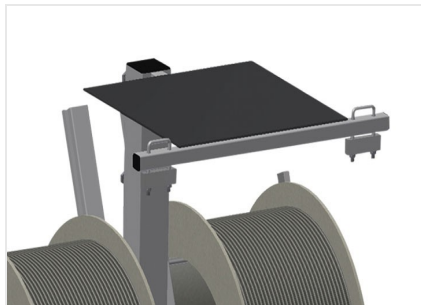
### Reel mounts

For two gasket reels. Mounts adjustable for any reel size.



### Unwinding brake

Unwinding brake for each reel



### Storage area for tools

Practical tool tray located at working height





### DW 2 / GASKET TROLLEYS

---

- Length 700 mm
- Width 700 mm
- Height 1,005 mm
- Two reel mounts
- Max. reel diameter 750 mm
- Max. reel width 250 mm
- Weight 25 kg
- Roller diameter 125 mm