



### DT1000

#### ROTATING TABLES



Rotating table for all work tasks on frames and sashes

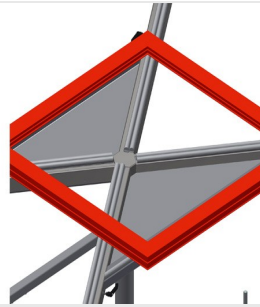
- Stable steel construction
- Rotating work table
- Versatile work table for all applications, e.g. for assembly tasks, as a work table for gasket insertion, for the post-processing of special-order production items, for hardware assembly as well as for final assembly
- Four continuously adjustable pull-out support arms
- Support arms are rubber coated
- Table surface can be rotated 360° and locked using pedal
- With practical storage tray and practical tool tray

#### Options

- Also available with felt surfaces on request (for wooden profiles)



### Rotating table DT 1000



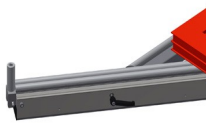
### Storage area

Practical storage for small accessories, hardware and screws



### Supporting surfaces

Support arms are rubber coated



### Support arms

Four pivoting and continuously adjustable pull-out support arms



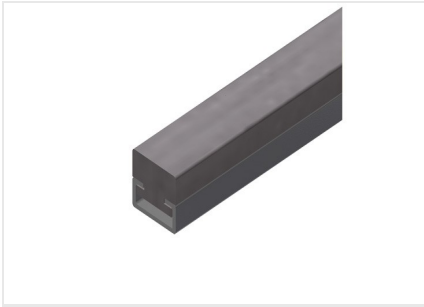
### Tool rack

Tool rack for pneumatic or electrical tools



### Pedal brake

Table surface can be rotated 360°; foot brake for locking the rotation



**Felt strip**

Felt strip for DT 1000 (woodworking)





**DT 1000 / ROTATING TABLES**

---

- Length of the arms 700 - 1,000 mm
- Height 900 mm
- Weight 110 kg

