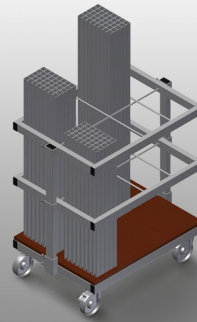




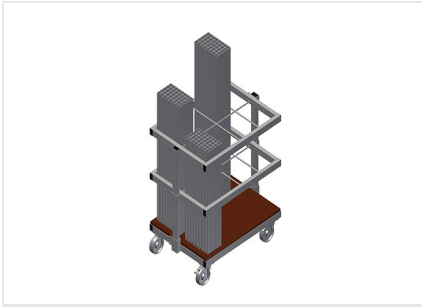
AW800

REINFORCEMENT TROLLEYS

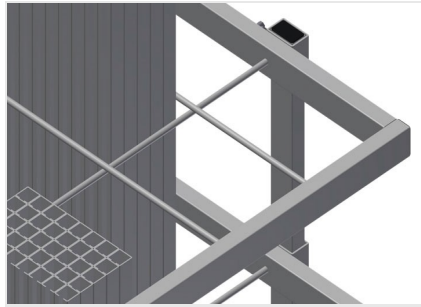


Trolley for transporting and providing a sorted selection of cut-to-length reinforcement profiles

- Stable steel construction
- Vertical storage and transportation of steel profiles
- Compact outside dimensions
- Well-organised arrangement of fixed-length profiles
- Four castors, two of which have a fixing brake

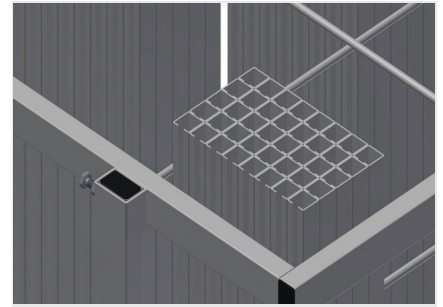


Reinforcement trolley AW 800



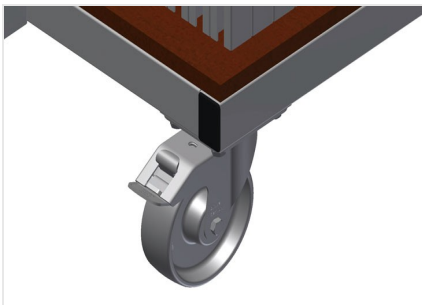
Compartments

Six compartments, compartment size 190 x 265 mm



Grid frame

Two grid frames with height adjustment



Casters

Four casters, two of which have a fixing brake, provide a high degree of mobility and easy, safe handling





AW 800 / REINFORCEMENT TROLLEYS

- Length 800 mm
- Width 600 mm
- Height 960 mm
- Six compartments
- Weight 35 kg
- Load 400 kg
- Roller diameter 125 mm